

## Item description/product images



## Description

**Material:**

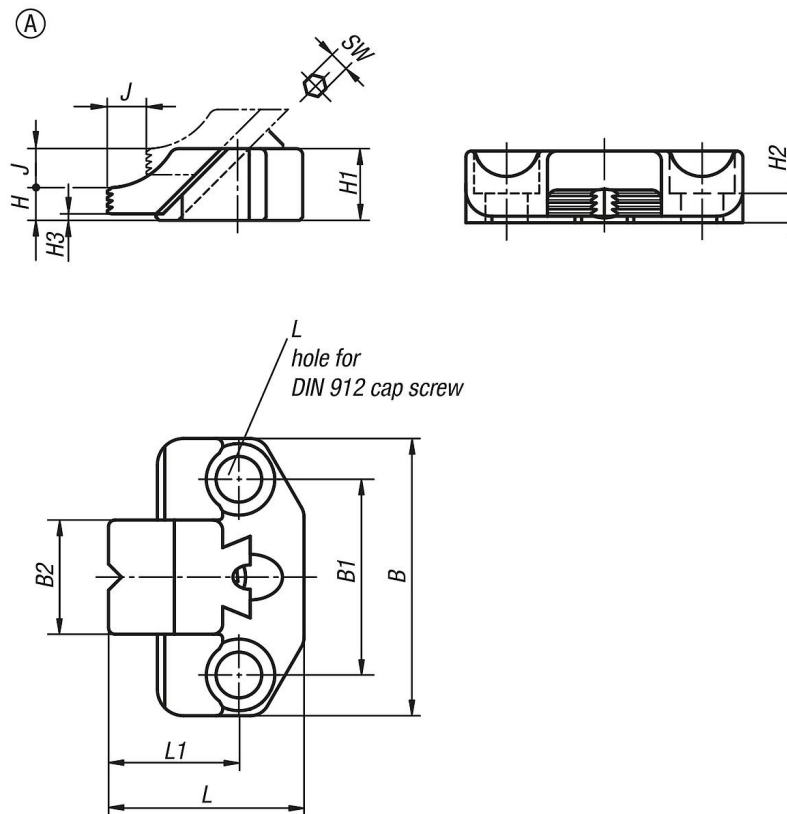
Carbon steel.

**Version:**

Body tempered and black oxidised.

Jaw plate black oxidised and tempered on the edges.

## Drawings



## Overview of items

Order No.	B	B1	B2	G	H1	H	H2	H3	J	L1	L	SW	Clamping force N	Tightening torque Nm
04482-0808	65	45	25	M8	16	7,5	7	1,5	7	25	39,5	4	4000	8
04482-1210	85	60	35	M12	22	10	9	2	12	40	60	6	9000	26
04482-1614	100	70	40	M16	30	14	13	2	14	50	77	8	17000	60