

Item description/product images

**Description****Material:**

Carbon steel.

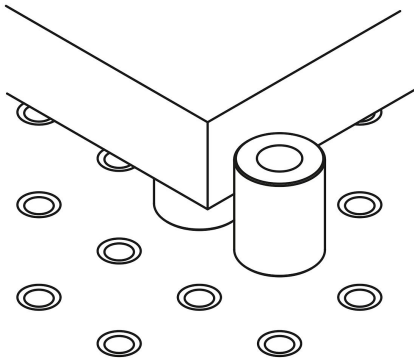
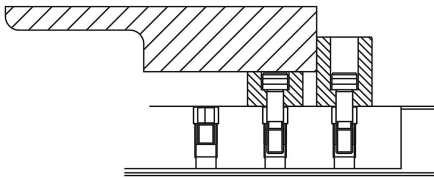
Version:

Tempered.

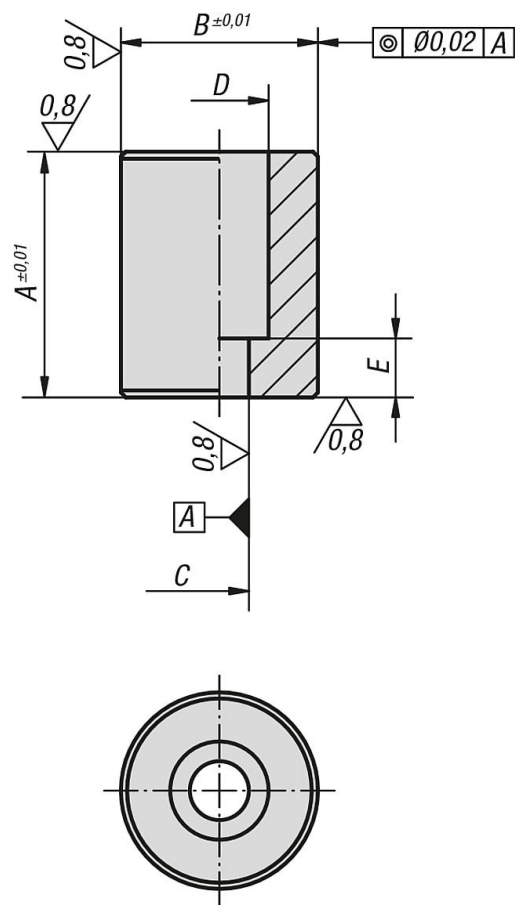
OD and support faces ground.

Note:

Depending on the system (M8, M12, M16), the locating supports are positioned and secured using shoulder screws or locating sleeves with socket head screw.



Drawings



Overview of items

Order No.	A	B	C Ø for shoulder screw	D	E	Suitable shoulder screw
02394-12025	25	40	12 H7	20	12	07533-12045
02394-12050	50	40	12 H7	20	12	07533-12045
02394-12075	75	40	12 H7	20	12	07533-12045
02394-16050	50	50	16 H7	26	15	07533-16055
02394-16075	75	50	16 H7	26	15	07533-16055
02394-16100	100	50	16 H7	26	25	07533-16065
02394-16125	125	50	16 H7	26	25	07533-16065