

## Item description/product images

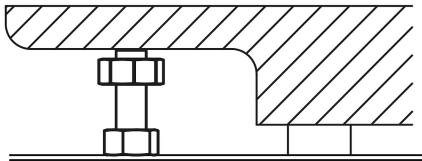


## Description

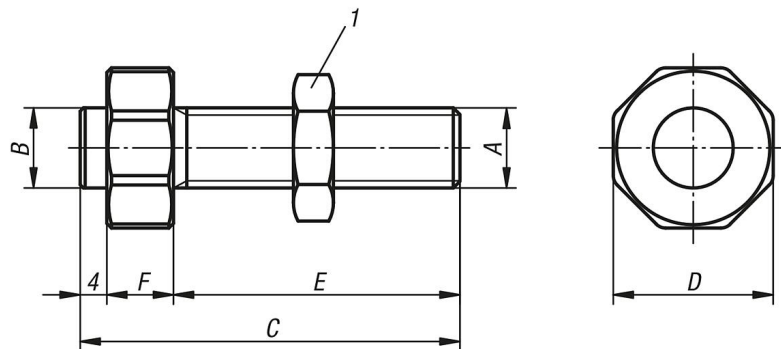
**Material:**  
Carbon steel.

**Version:**  
Tempered and black oxidised.

**Drawing reference:**  
1) locknut



## Drawings



## Overview of items

Order No.	A	B	C	D	E	F
02038-08041	M8	8	41	17	30	7
02038-08051	M8	8	51	17	40	7
02038-12057	M12	12	57	24	43	10
02038-12072	M12	12	72	24	58	10
02038-16057	M16	16	57	30	43	10
02038-16072	M16	16	72	30	58	10

