

Item description/product images

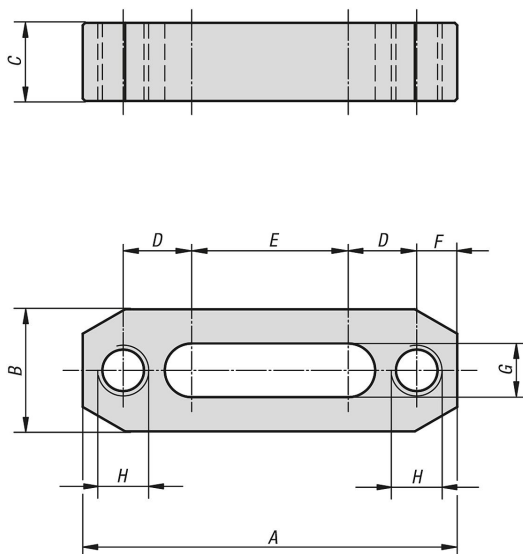


Description

**Material:**  
Carbon steel 1.0503.

**Version:**  
Tempered and black oxidised.

Drawings



Overview of items

Clamp straps, tapped both ends

Order No.	A	B	C	D	E	F	G	H	Clamping force N	Tightening torque max. Nm
04189-08063	63	25	12	12	25	7	9	M8	6900	22
04189-08080	80	25	12	17	32	7	9	M8	6900	22
04189-10080	80	25	16	14	32	10	11	M10	11300	45
04189-10100	100	25	16	20	40	10	11	M10	11300	45
04189-10125	125	25	16	30	45	10	11	M10	11300	45
04189-12100	100	32	19	20	40	10	13	M12	16700	80
04189-12125	125	32	19	30	45	10	13	M12	16700	80
04189-12160	160	32	22	45	50	10	13	M12	16700	80
04189-16125	125	38	19	30,5	40	12	17	M16	18000	115
04189-16160	160	38	22	43	50	12	17	M16	18000	115
04189-16200	200	38	25	58	60	12	17	M16	20200	129
04189-20125	125	38	22	27,5	40	15	21	M20	19700	157
04189-20160	160	38	22	40	50	15	21	M20	19700	157
04189-20200	200	50	25	55	60	15	21	M20	22900	183

