

Item description/product images

**Description****Material, version:**

Body and locating pin carbon steel, tempered and black oxidised.

Handle carbon steel, tempered.

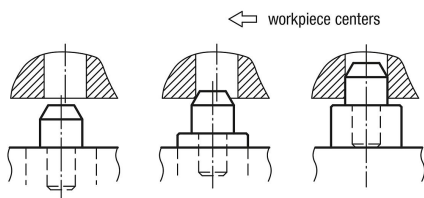
Ball knob black thermoset PF 31.

Note:

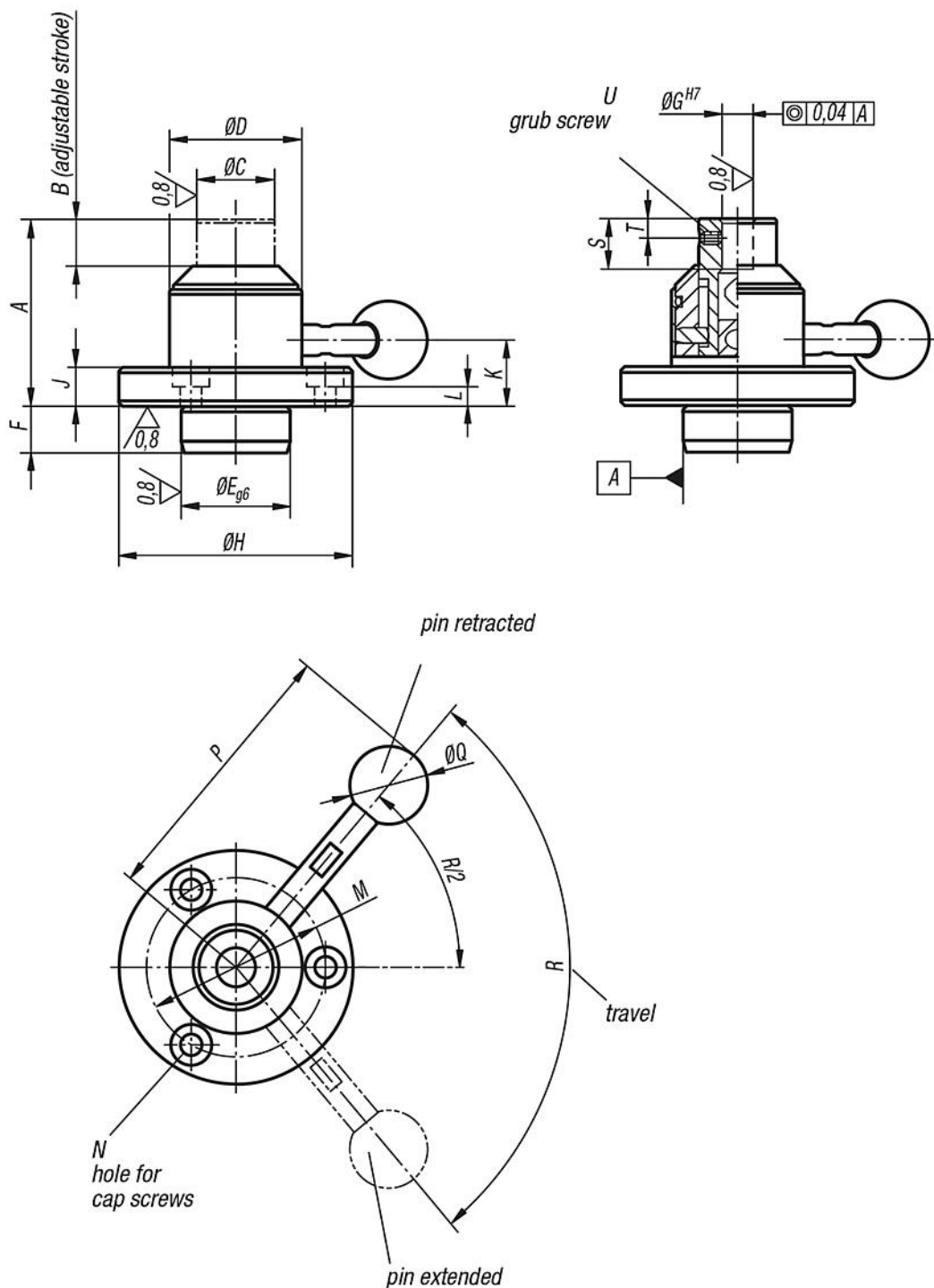
* Admissible hand force for the handle.

** Workpieces up to this weight can be located.

1. roughly position 2. raise pin 3. located



Drawings



Overview of items

Order No.	A	B	C	D	E	F	G	H	J	K	L	M	N	P	Q	R	S	T	U	Hand force FH N	Max. workpiece weight kg
03171-2808	48	12	20	34	28	12	8	60	10	17	5	46	M5	71	20	100	13	5	M4x5	150*	250**
03171-4212	61	15	30	48	42	14	12	80	13	23	7	63	M6	94	25	90	15	8	M6x8	200*	300**

