

## Item description/product images

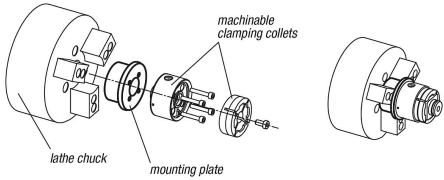


### Description

**Material:**  
Carbon steel 1.7262.

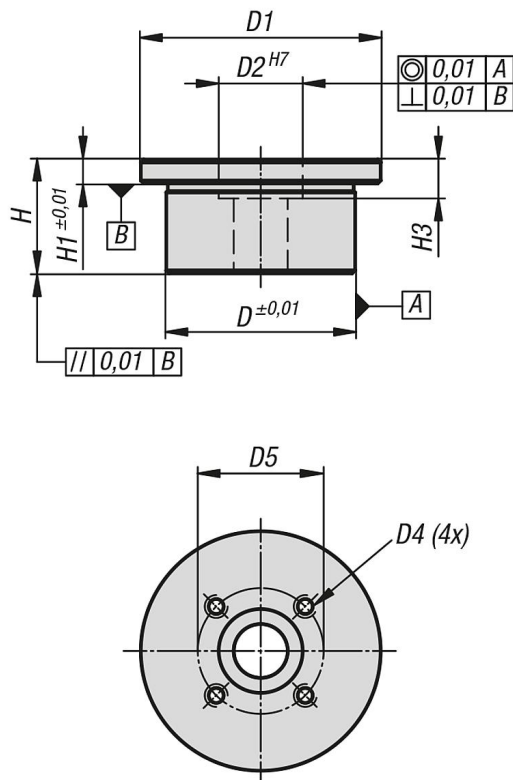
**Version:**  
Black oxidised and case-hardened.

**Note:**  
Suitable for clamping collets  
03166-065057 and 03166-090072.



Mounting plate for holding the collet in a lathe chuck

## Drawings



## Overview of items

Order No.	D	D1	D2	D4	D5	H	H1	H3
03166-065038	63	80	28	M6x12	42	38	8	13
03166-090043	80	100	42	M8x16	60	43	8	15

