

## Item description/product images



## Description

**Material:**

Steel.

**Version:**

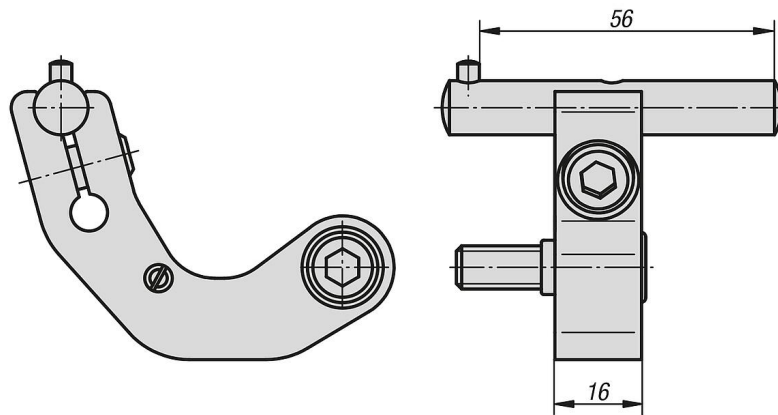
Swivel arm, black oxidised.

Stop pin bright.

**Note:**

Stop set for direct fastening to fixed jaws. The stop can be swivelled aside for machining of the workpiece without losing the stop dimension. Supplied complete with attaching parts.

## Drawings



## Overview of items

Order No.	Suitable for
41070-100	All 3-axis and 5-axis clamping systems