

Item description/product images



Description

Material:

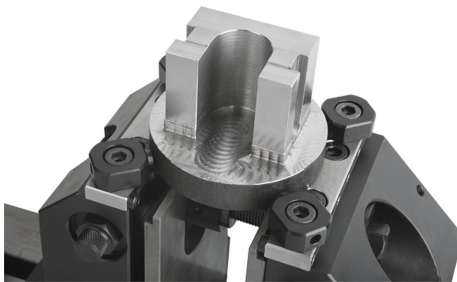
Jaw adapters QT steel.
Cap screw steel.

Version:

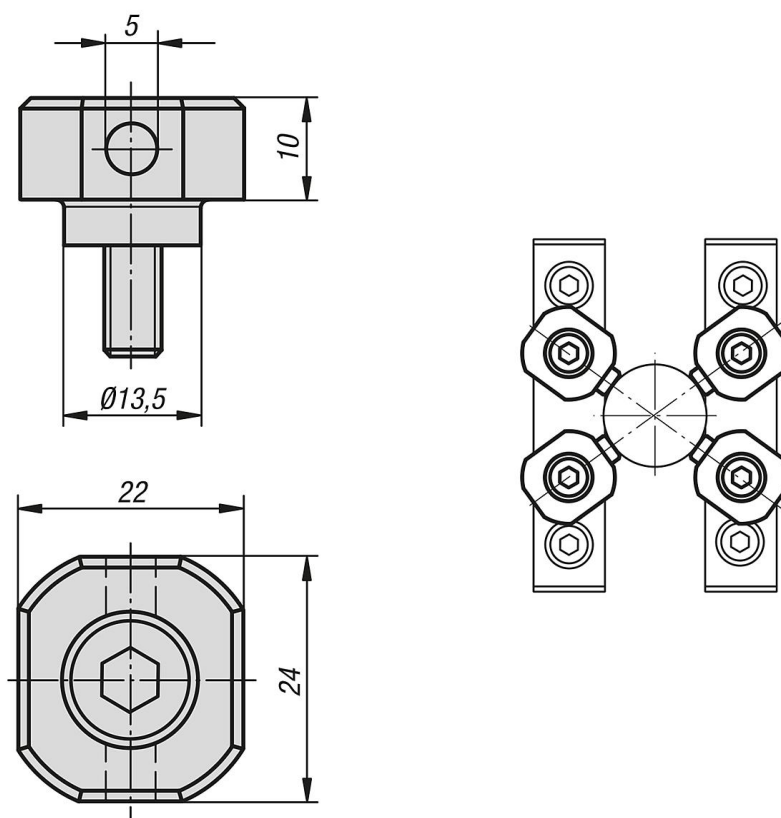
Jaw adapters black oxidised.
Cap screw, grade 10.9.

Accessory:

Jaw pins 41060



Drawings



Overview of items

Order No.	Suitable for
41055-135010	all 3-axis and 5-axis vices