

Item description/product images

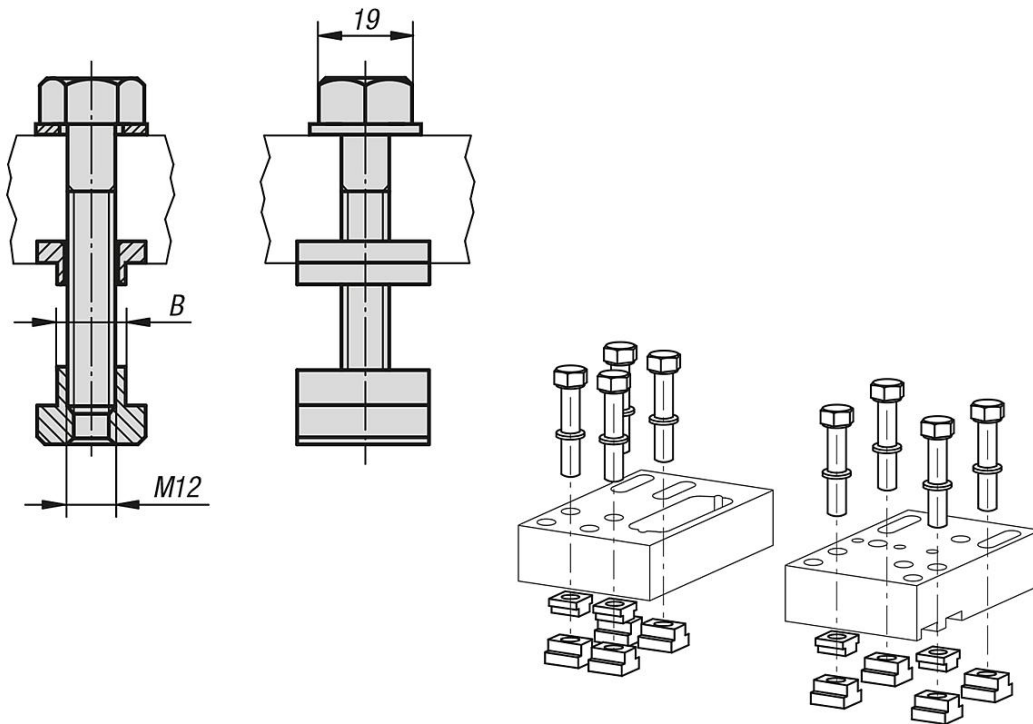


Description

Material:
Carbon steel.

Version:
Black oxidised.

Drawings



Overview of items

Order No.	Version	B
41085-1412	Slot width 14	14
41085-1812	Slot width 18	18

