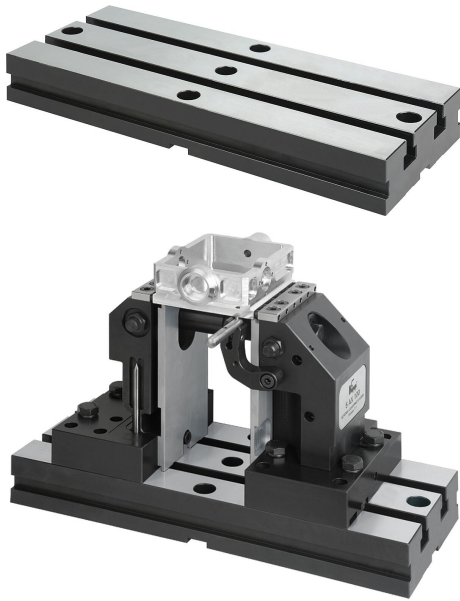


Item description/product images



Description

Material:

Carbon steel.

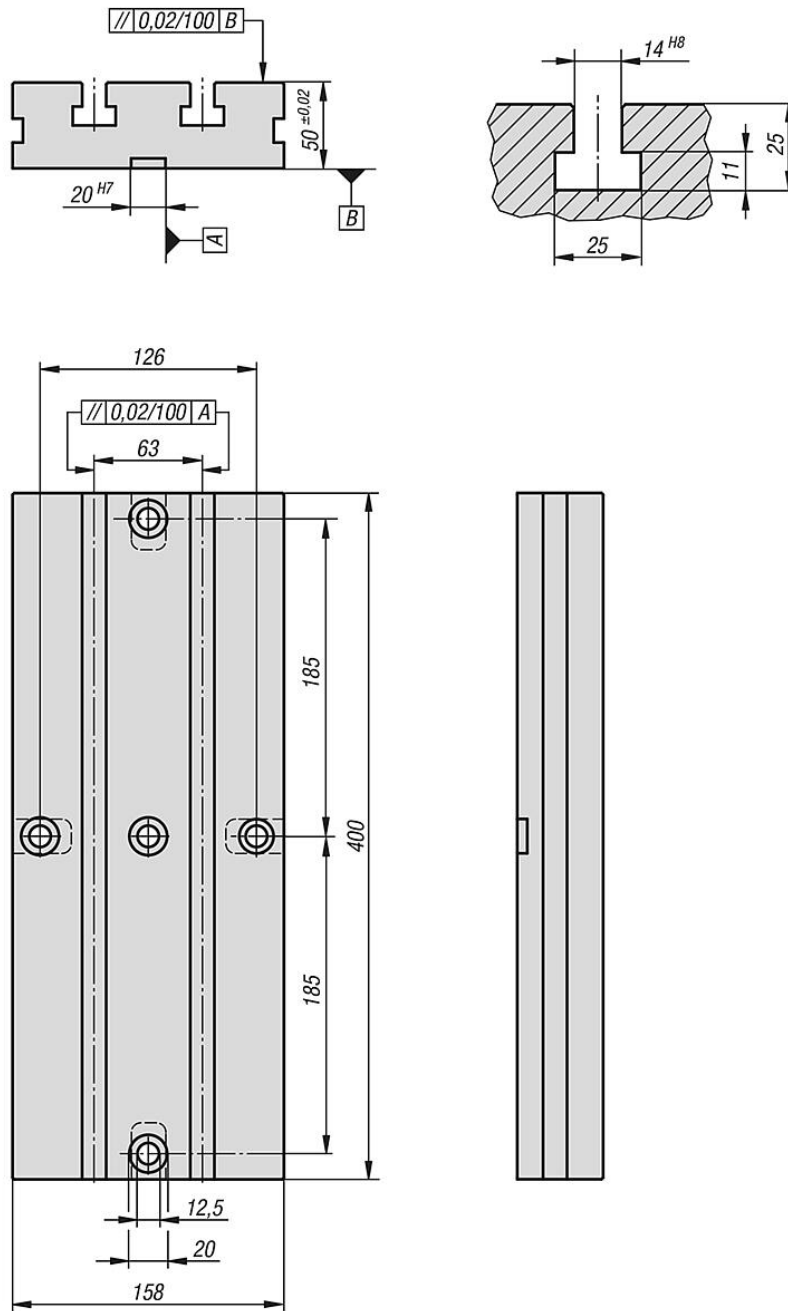
Version:

Black oxidised.
Contact faces ground.

Note:

T-slot plates with locating slots on the underside for easy alignment of the plate on the machine table.

Drawings



Overview of items

T-slot plate

Order No.	Version	weight kg
41090-14063400	Slot width 14 / slot spacing 63	21,135

