

Item description/product images

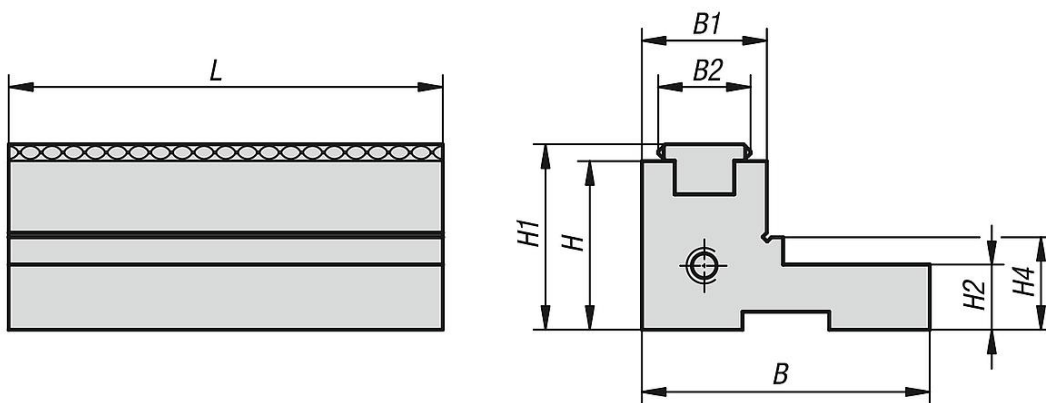


Description

Material:
Steel.

Version:
Stepped jaws hardened, clamping faces ground.
Grip rail hardened.

Drawings



Overview of items

Order No.	B	B1	B2	H	H1	H2	H4	L	weight kg
41105-0651	38	30	17	18	21,1	9	9,5	65	0,354
41105-0801	53	23	17	31	34,1	12	17	80	0,5
41105-1251	67	23	17	31	34,1	18	23	125	1,55