

## Item description/product images



## Description

**Material:**

Steel.

**Version:**

Thrust pin steel, hardened and electro zinc-plated.

Sleeve blue electro zinc-plated.

**Note:**

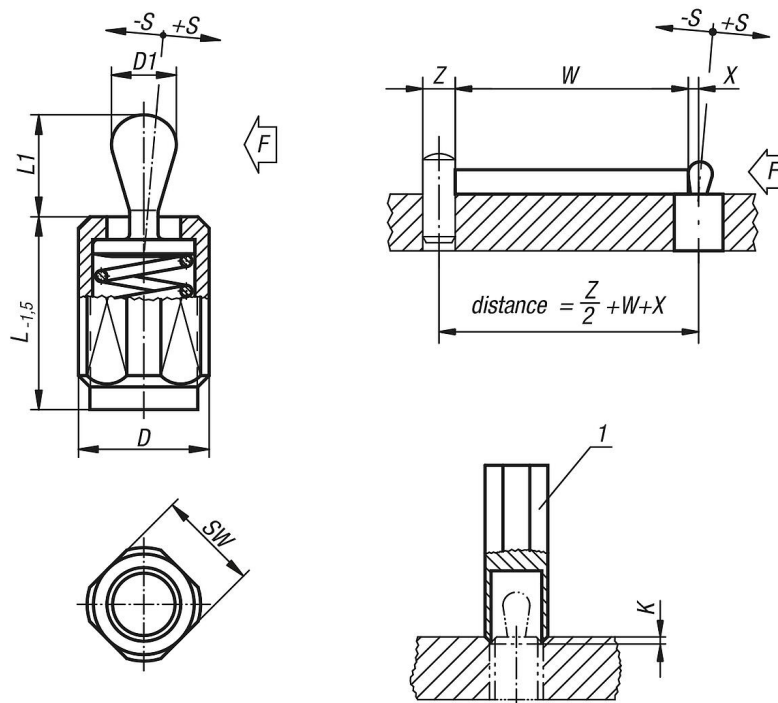
Lateral spring plungers with threaded sleeve can be individually adjusted to suit the the part being held. The threaded sleeve is also suitable for screwing into thin sheet metal as it can be fastened with one or two nuts.

W and Z are customer specified.

**Drawing reference:**

1) assembly tool

## Drawings



## Overview of items

Order No.	Component material	L	L1	D	D1	±S	F ca.N	X	SW	K	Order No. assembly tool
03334-3020X12	steel	11,5	6	M12	5	0,8	20	1,6	10	2x60°	03334-06

## Overview of items

Order No.	Component material	L	L1	D	D1	±S	F ca.N	X	SW	K	Order No. assembly tool
03334-3020X20	steel	19	6	M12	5	0,8	20	1,6	10	2x60°	03334-06
03334-3020X27	steel	26,5	6	M12	5	0,8	20	1,6	10	2x60°	03334-06
03334-3050X12	steel	11,5	6	M12	5	0,8	50	1,6	10	2x60°	03334-06
03334-3050X20	steel	19	6	M12	5	0,8	50	1,6	10	2x60°	03334-06
03334-3050X27	steel	26,5	6	M12	5	0,8	50	1,6	10	2x60°	03334-06
03334-3100X12	steel	11,5	6	M12	5	0,8	100	1,6	10	2x60°	03334-06
03334-3100X20	steel	19	6	M12	5	0,8	100	1,6	10	2x60°	03334-06
03334-3100X27	steel	26,5	6	M12	5	0,8	100	1,6	10	2x60°	03334-06
03334-3040X12	steel	11,5	10	M12	6	1	40	1,8	10	2x60°	03334-06
03334-3040X20	steel	19	10	M12	6	1	40	1,8	10	2x60°	03334-06
03334-3040X27	steel	26,5	10	M12	6	1	40	1,8	10	2x60°	03334-06
03334-3075X12	steel	11,5	10	M12	6	1	75	1,8	10	2x60°	03334-06
03334-3075X20	steel	19	10	M12	6	1	75	1,8	10	2x60°	03334-06
03334-3075X27	steel	26,5	10	M12	6	1	75	1,8	10	2x60°	03334-06
03334-3150X12	steel	11,5	10	M12	6	1	100	1,8	10	2x60°	03334-06
03334-3150X20	steel	19	10	M12	6	1	100	1,8	10	2x60°	03334-06
03334-3150X27	steel	26,5	10	M12	6	1	100	1,8	10	2x60°	03334-06
03334-3100X16	steel	18	16	M18X1,5	10	1,6	100	3,2	16	2,5x60°	03334-10
03334-3100X29	steel	31,5	16	M18X1,5	10	1,6	100	3,2	16	2,5x60°	03334-10
03334-3100X43	steel	45	16	M18X1,5	10	1,6	100	3,2	16	2,5x60°	03334-10
03334-3200X16	steel	18	16	M18X1,5	10	1,6	150	3,2	16	2,5x60°	03334-10
03334-3200X29	steel	31,5	16	M18X1,5	10	1,6	150	3,2	16	2,5x60°	03334-10
03334-3200X43	steel	45	16	M18X1,5	10	1,6	150	3,2	16	2,5x60°	03334-10
03334-3300X16	steel	18	16	M18X1,5	10	1,6	200	3,2	16	2,5x60°	03334-10
03334-3300X29	steel	31,5	16	M18X1,5	10	1,6	200	3,2	16	2,5x60°	03334-10
03334-3300X43	steel	45	16	M18X1,5	10	1,6	200	3,2	16	2,5x60°	03334-10