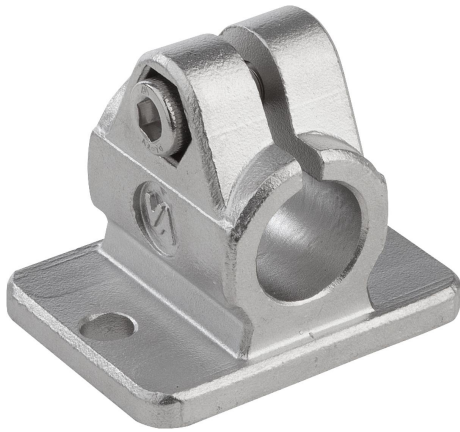


Item description/product images

**Description****Material:**

Investment cast 1.4308 stainless steel.
ISO 4762 cap screw and ISO 4032 hex nut, stainless steel.
From $\varnothing 30$ mm ISO 4017 hex head bolt, stainless steel.

Version:

Electropolished.

Note:

The tube clamps with diameters 30 and 40 mm have a silicone sleeve that protects the thread of the hex head screw from contamination and damage.

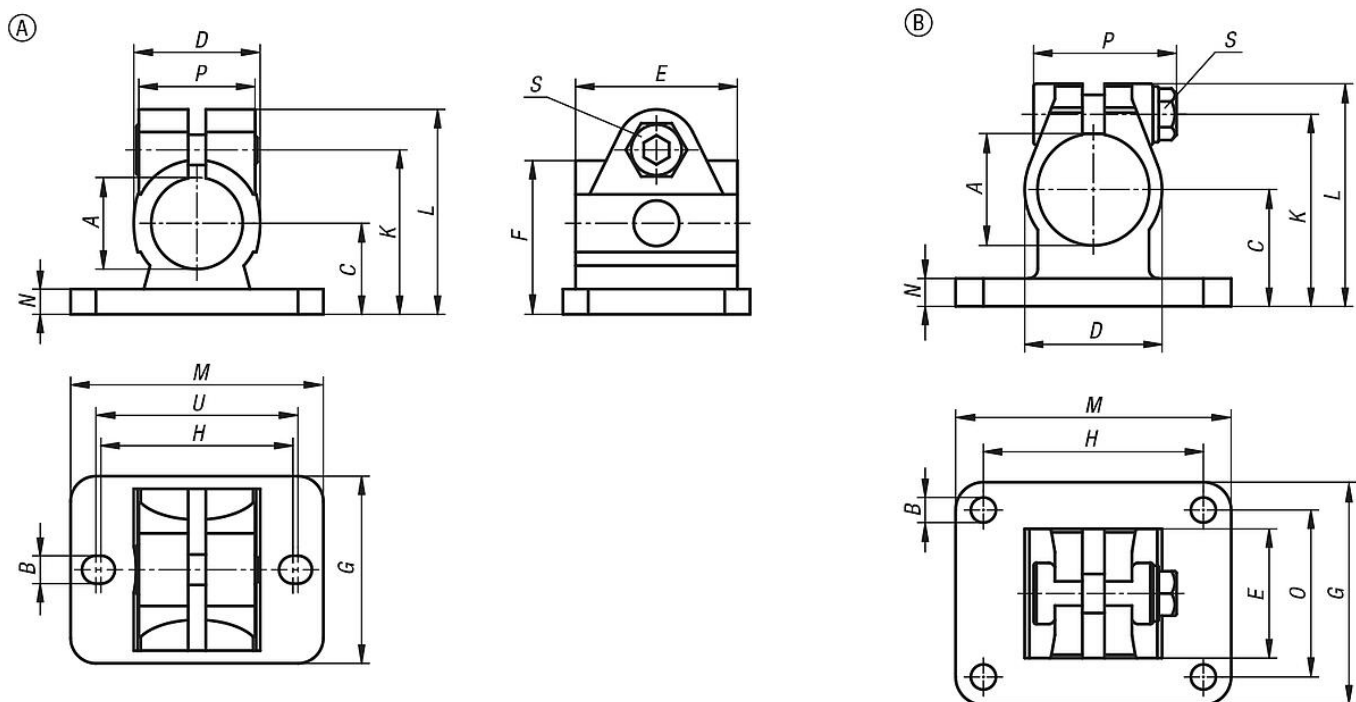
On request:

Clamping levers for tightening.

Accessory:

- Round and square tubes 29050

Drawings



Overview of items

Order No.	Form	A	B	C	D	E	F	G	H	K	L	M	N	O	P	S	U
29014-112	A	12,1	5,5	18	25	32	30,4	37	38	32,5	40,5	50	5	-	23	M6x18	40
29014-114	A	14,1	5,5	18	25	32	30,4	37	38	32,5	40,5	50	5	-	23	M6x18	40
29014-116	A	16,1	5,5	18	25	32	30,4	37	38	32,5	40,5	50	5	-	23	M6x18	40
29014-118	A	18,1	5,5	18	25	32	30,4	37	38	32,5	40,5	50	5	-	23	M6x18	40
29014-120	A	20,1	5,5	18	25	32	30,4	37	38	32,5	40,5	50	5	-	23	M6x18	40
29014-130	B	30,1	7	30	37,4	32,4	-	55	60	50	59,2	78	7	40	45,5	M8x30	-
29014-140	B	40,17	9	42	49,4	46,4	-	80	60	69	80	80	10	60	52	M10x35	-