

Item description/product images



Description

Material:

Carbon steel.

Version:

Tempered, black oxidised.

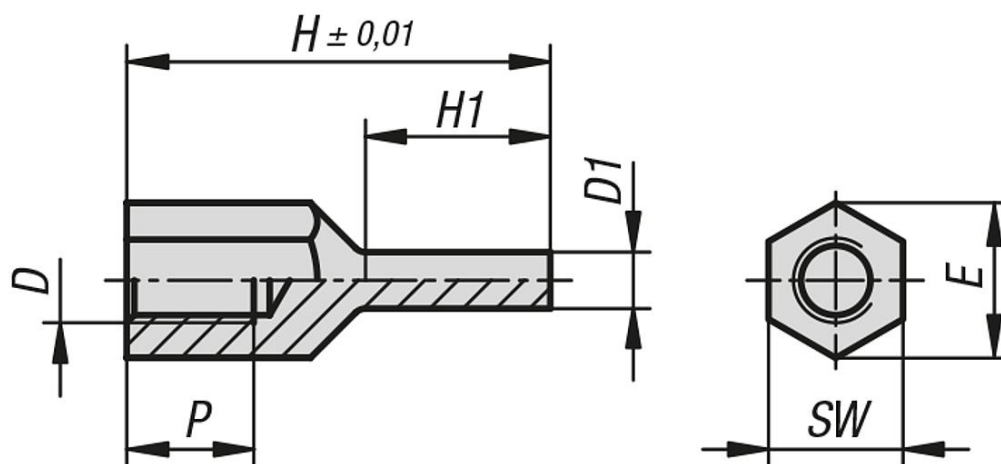
Seating face inductively hardened and ground.

Note:

The rest pads can be used both as a stable and precise support and as a stop.

The pin form of the rest pad also allows it to be used with components with constricted support points.

Drawings



Overview of items

Order No.	D	D1	E	H	H1	P	SW
02027-2060420	M6	4	11	20	8,5	6	10
02027-2060430	M6	4	11	30	13,5	9	10
02027-2080430	M8	4	14,4	30	13	10	13
02027-2080440	M8	4	14,4	40	18	14	13
02027-2080630	M8	6	14,4	30	13	10	13
02027-2080640	M8	6	14,4	40	18	14	13
02027-2100630	M10	6	19	30	12	10	17
02027-2100650	M10	6	19	50	25	15	17
02027-2100830	M10	8	19	30	12	10	17
02027-2100850	M10	8	19	50	25	15	17

Overview of items

Order No.	D	D1	E	H	H1	P	SW
02027-2120640	M12	6	21,2	40	18	12	19
02027-2120660	M12	6	21,2	60	28	18	19
02027-2120840	M12	8	21,2	40	18	12	19
02027-2120860	M12	8	21,2	60	28	18	19