

## Item description/product images

**Description****Material:**

Steel.

**Version:**

Contact faces case-hardened and ground.

**Note:**

UNILOCK double clamp modules are particularly suitable for the direct clamping of workpieces. Workpieces with complex geometry can be completely machined on 4 and 5 sides.

UNILOCK double clamp modules can be mounted in any position.

The high clamping forces are generated by the integrated spring package. (the unit clamps while not pressurised). Clamping is released pneumatically.

The following clamping forces are possible with the UNILOCK clamping pin in conjunction with M10, M12, M16 fastening screws:

Clamping force (M10) 35,000 N

Clamping force (M12) 50,000 N

Clamping force (M16) 75,000 N

Supplied with:

1 double clamp module incl. 3x pneumatic connections.

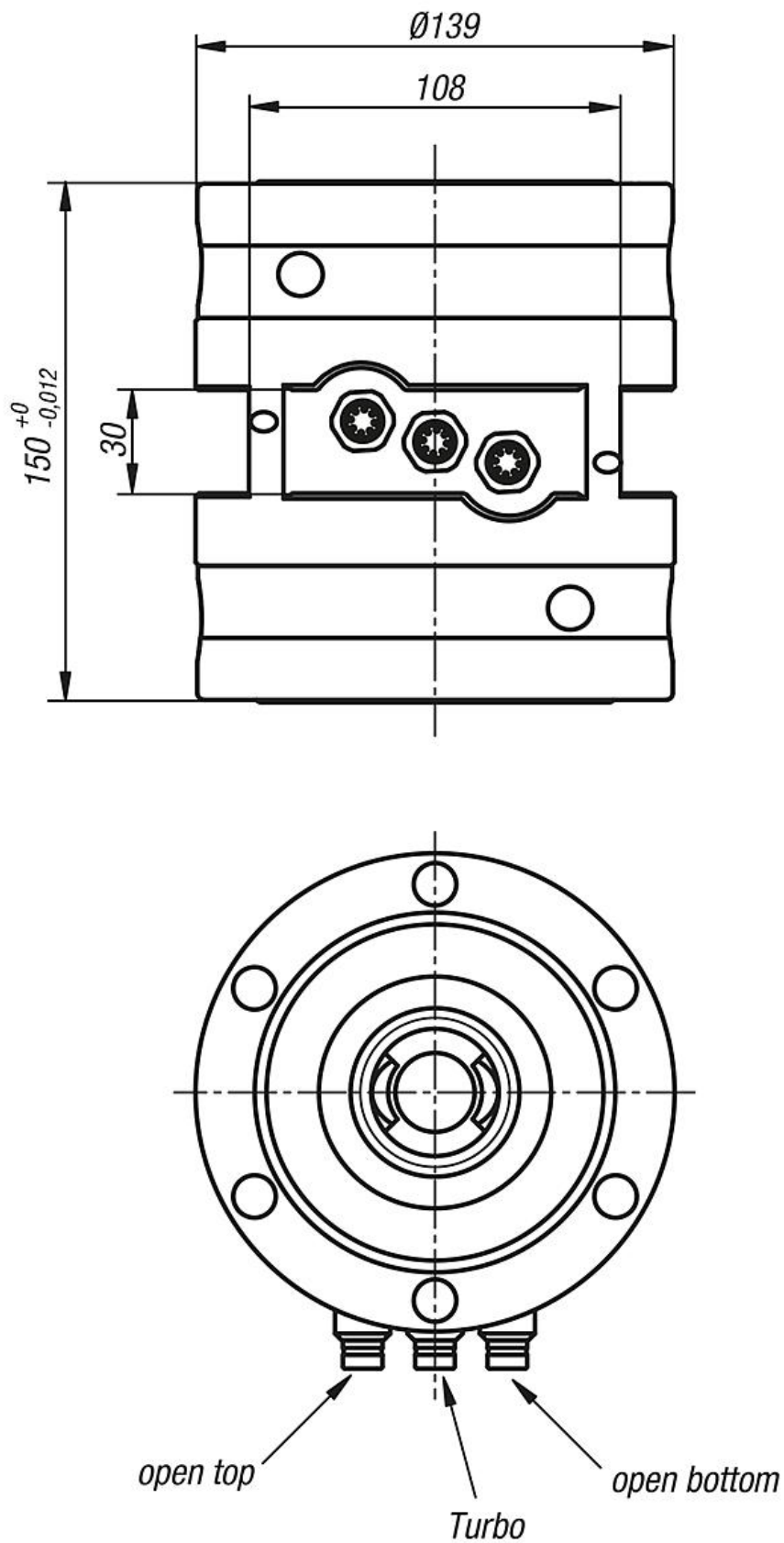
**Technical data:**

Opening pressure: 6 bar, lubricated air

Turbo pressure: 6 bar

Air connection: G 1/8

Repeat accuracy  $\leq 0.005$  mm



Overview of items

Order No.	Type	weight kg
-	Double Clamp	13,6