

Item description/product images



Description

Material:

Quarter-turn lock 1.4401 stainless steel.
Tongue 1.4301 stainless steel.

Version:

Bright.

Note:

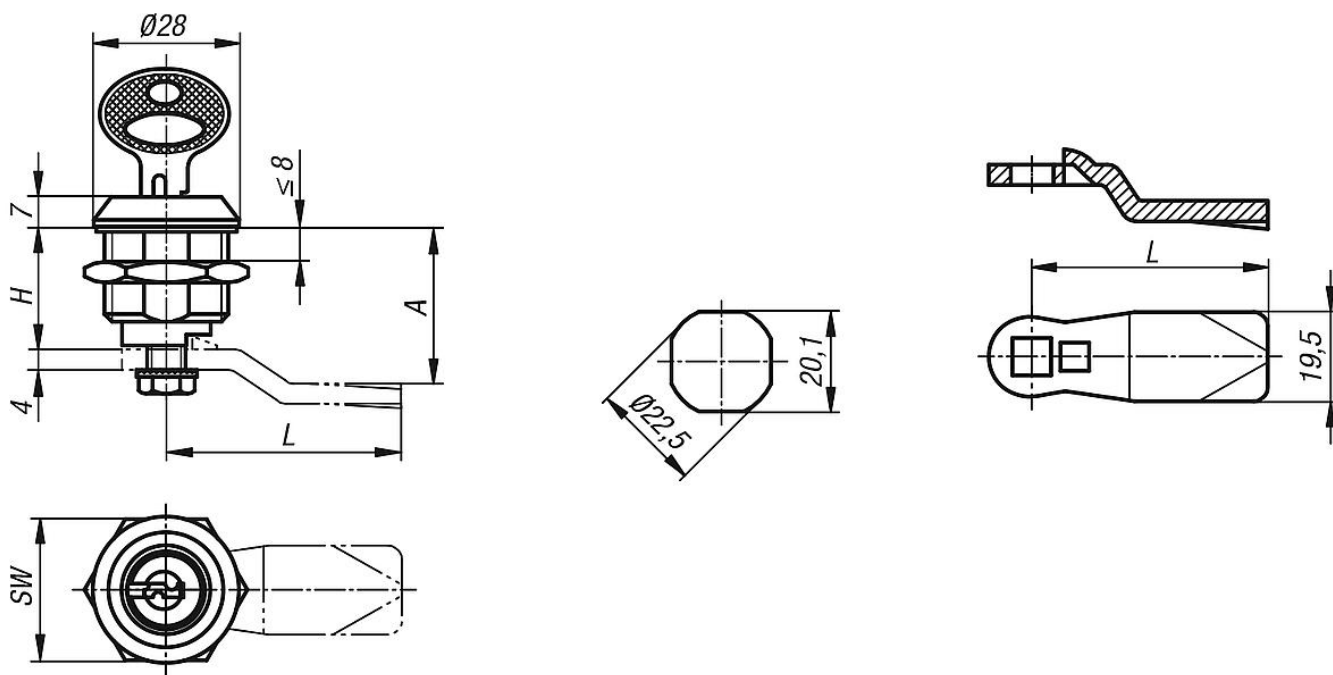
Lockable quarter-turn lock for right or left mounting with 90° closing. The quarter-turn lock can be installed pre-assembled. This lockable quarter-turn lock is supplied with 2 keys. The key can be removed in both the closed and open position. The cylinder locks have a single-key system i.e. the same key works in all locks (lock type 1333).

Please order required tongue separately. Every tongue can be combined with this housing.

Accessory:

Tongue for stainless steel quarter-turn lock 05569.

Drawings



Overview of items

Quarter-turn lock, stainless steel, lockable

Order No.	Actuation	H	SW
05588-186	key single-key system	18	27

Tongue for quarter-turn lock

Overview of items

Order No.	A for housing length H=18	L
05569-245X180	18	45
05569-245X200	20	45
05569-245X240	24	45
05569-245X280	28	45
05569-245X320	32	45
05569-245X340	34	45
05569-245X360	36	45
05569-245X380	38	45
05569-245X400	40	45
05569-245X420	42	45