

Item description/product images



Description

Material:

Grip 1.4301 stainless steel.  
Housing and nut 1.4305 stainless steel.

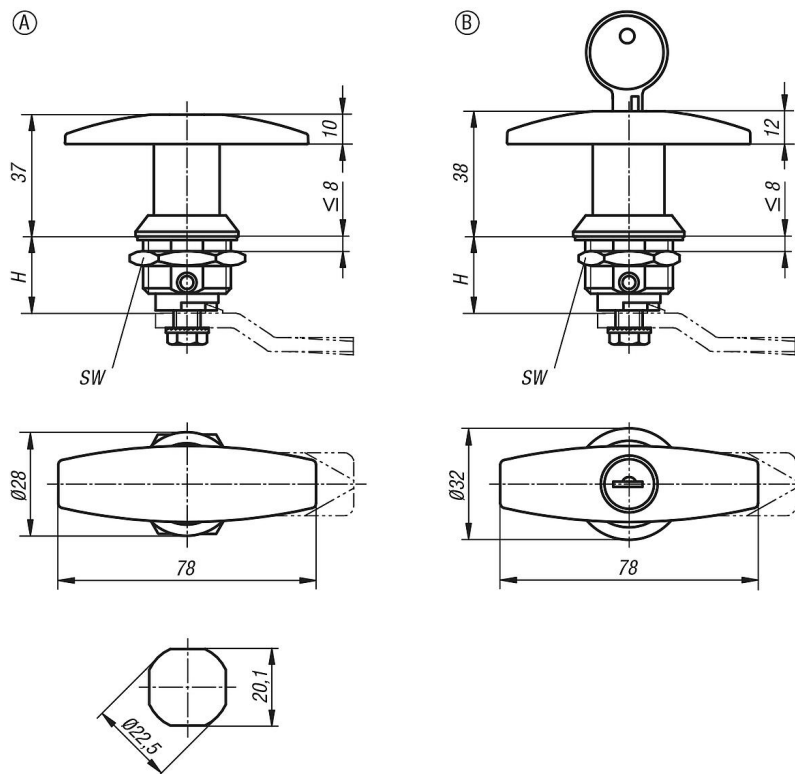
Version:

Bright.

Note:

Quarter-turn lock with T-grip. For right or left mounting with 90° closing. The quarter-turn lock can be installed pre-assembled. Supplied with standard stainless-steel nut. The lockable quarter-turn lock is supplied with 2 keys. The key can be removed in both the closed and open position. The cylinder locks have a single-key system i.e. the same key works in all locks (lock type 1333). Rating IP65.

Drawings



Overview of items

Order No.	Form	Actuation	H	SW
05593-1186	A	T-Grip	18	27
05593-2186	B	lockable T-grip	18	27

