

Item description/product images



Description

Material:

Grip and tongue 1.4301 stainless steel.
Housing and nut 1.4305 stainless steel.

Version:

Bright.

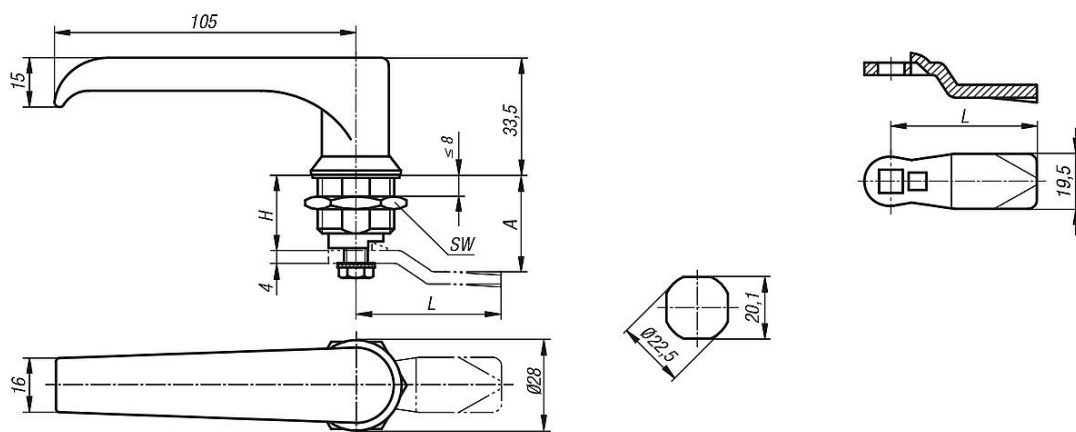
Note:

Quarter-turn lock with L-grip. For right or left mounting with 90° closing. The quarter-turn lock can be installed pre-assembled. Supplied with standard stainless-steel nut. Rating IP65. Please order required tongue version separately. Every tongue can be combined with this housing.

Accessory:

Tongue for stainless steel quarter-turn lock 05569.

Drawings



Overview of items

Quarter-turn lock, stainless steel with L-grip

Order No.	Actuation	H	SW
05594-1186	L-grip	18	27

Tongue for quarter-turn lock

Order No.	A for housing length H=18	L
05569-245X180	18	45
05569-245X200	20	45
05569-245X240	24	45
05569-245X280	28	45
05569-245X320	32	45
05569-245X340	34	45

Overview of items

Order No.	A for housing length H=18	L
05569-245X360	36	45
05569-245X380	38	45
05569-245X400	40	45
05569-245X420	42	45