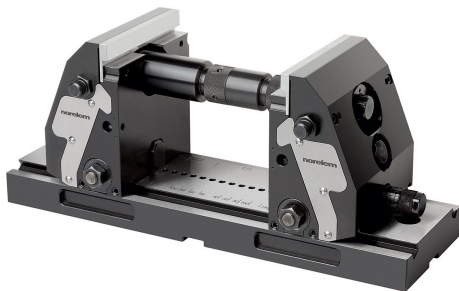
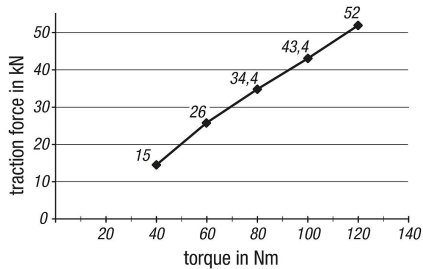


Item description/product images



Tractive force 5-axis clamping system compact



Description

Material:

Base plate and jaw hardened steel.
Vice jaws tool steel.

Version:

Jaws black oxidised.
Jaw plates bright.

Note:

The easy operability and rapid adjustment using a scale means that the clamping jaws can be quickly and surely adapted to new workpieces. The workpiece is always centred through the systematic construction of the 5-axis compact clamping system. The optimal accessibility to the workpiece allows short, standard tooling to be used. Tooling costs are significantly reduced.

Positive down force by a clamping depth of >5 mm.
Clamping widths of 20 mm to 320 mm are possible.

Assembly:

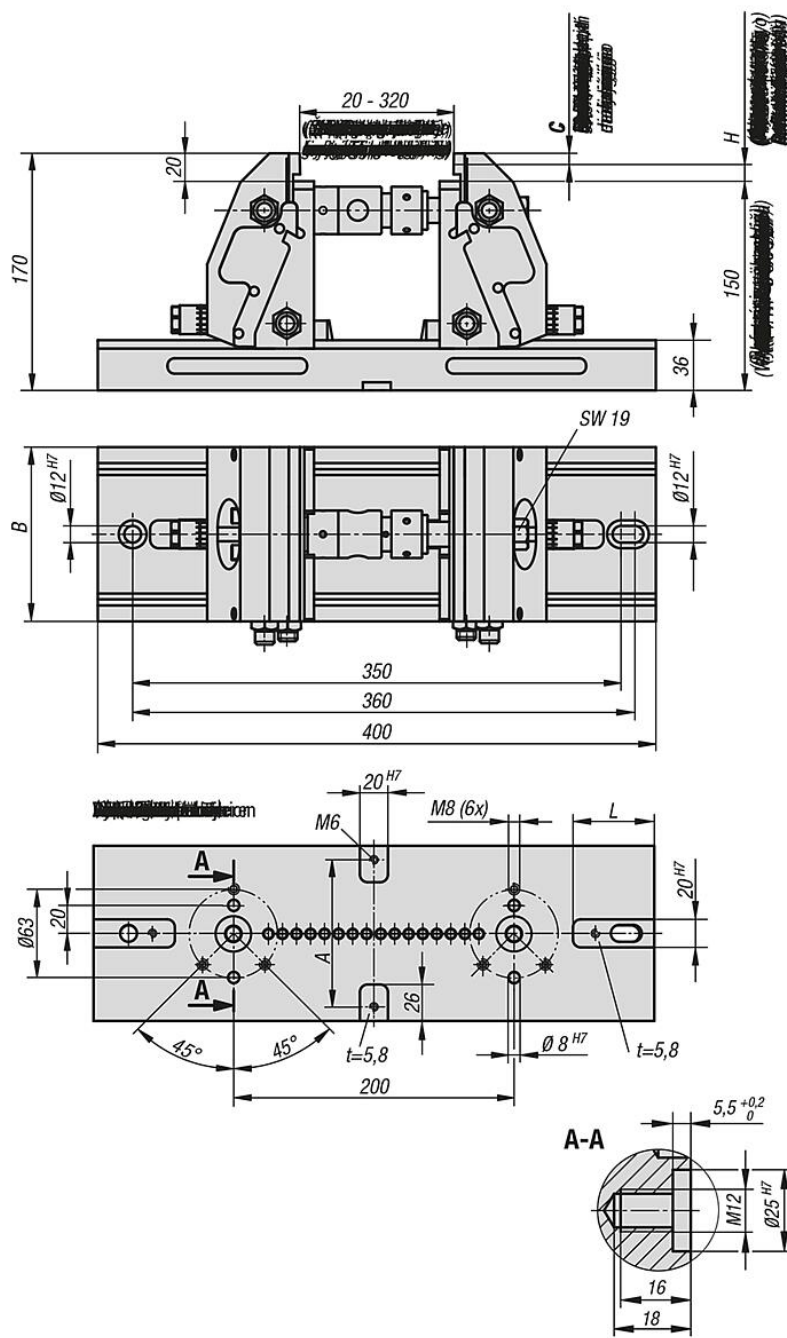
The 5-axis clamping system compact can be mounted on T-slot tables, grid systems or, using an adapter flange on conventional zero-point clamping systems.

Accessory:

Seating ledge 41345
Jaw plates 41320
Pendulum jaws 41325
Centre jaws 41335
Coupling for cross-clamping 41365

Order the seating ledges and jaw plates with pins separately.

Drawings



Overview of items

5-axis clamping system compact, smooth vice jaws

| Order No. | A | B | C | H | L | Tractive force max. kN | Suitable shoulder screw | weight kg |
|--------------------|-----|-----|-----|-------|------|------------------------|-------------------------|-----------|
| 41300-124000901500 | 70 | 90 | 8/3 | 12/17 | 57,5 | see diagram | 07533-12055 | 22,272 |
| 41300-124001251500 | 105 | 125 | 8/3 | 12/17 | 58 | see diagram | 07533-12055 | 31 |

