

## Item description/product images

**Description****Material:**

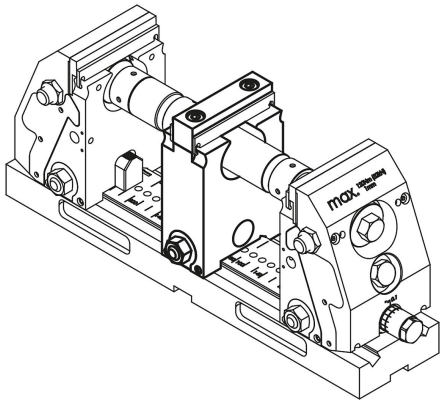
Body mild steel.  
Jaw plates tool steel.

**Version:**

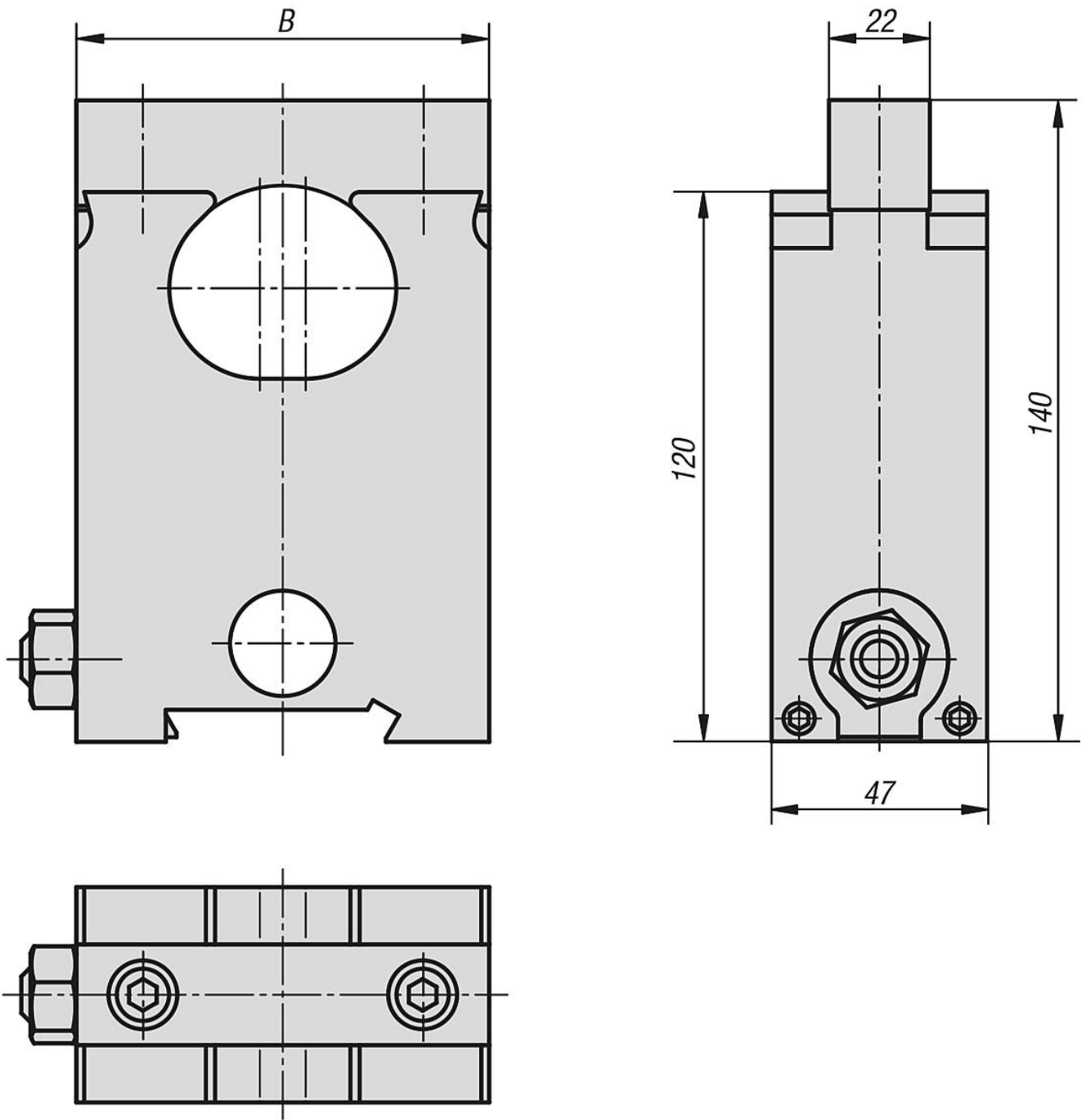
Body black oxidised.  
Vice jaws hardened, bright.

**Note:**

Centre jaws are used to clamp 2 workpieces simultaneously.  
The centre jaws can be moved to suit the size of the workpiece. 2 different sized workpiece can be clamped.



Drawings



Overview of items

Order No.	B	weight kg
41335-0901500	90	3,38
41335-1251500	125	5,1

