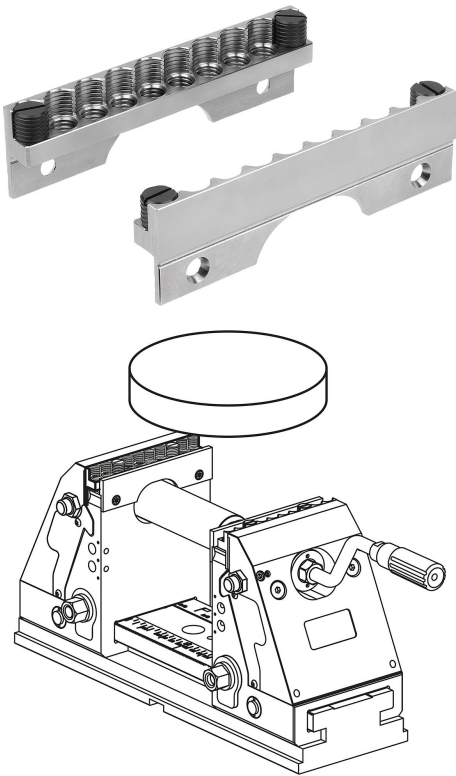


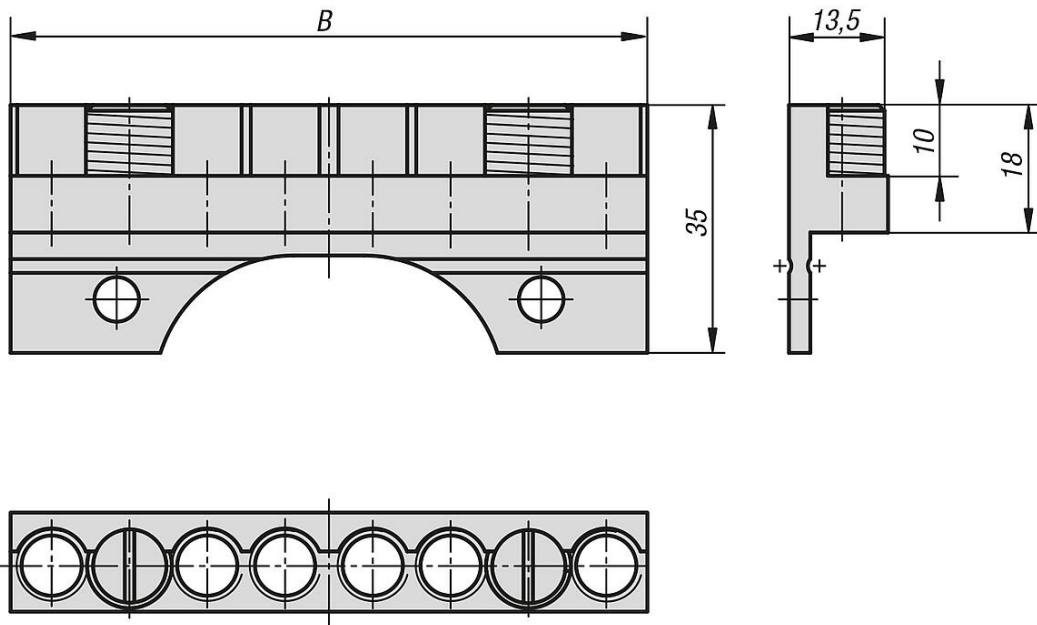
Item description/product images

Description

Material:
Tool steel.



Drawings



Overview of items

Cylinder clamping sets

Order No.	B	Clamping range min. - max.
41350-09035	90	20 mm - 250 mm
41350-12535	125	20 mm - 320 mm

