

Item description/product images



**Description**

**Material:**

Housing and actuator die-cast zinc.  
 Nut brass.  
 Tongue steel.  
 Key nickel silver.

**Version:**

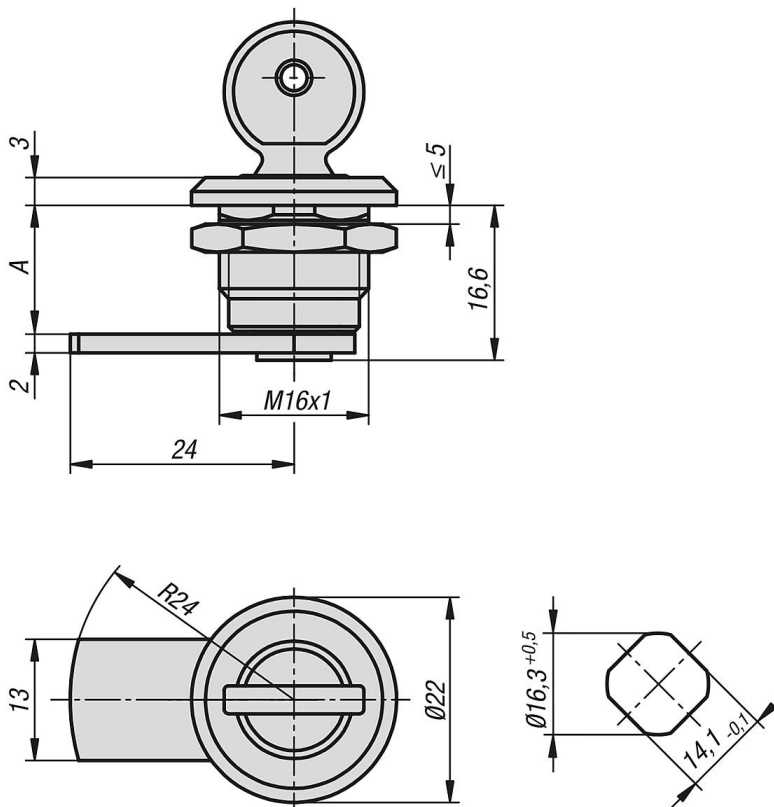
Housing and actuator trivalent passivated.  
 Nut and tongue electro zinc-plated.

**Note:**

Lockable quarter-turn lock, right or left mounting with 90° closing. The quarter-turn lock can be installed pre-assembled.

These lockable quarter-turn locks are supplied with 2 keys. The key can be removed in both positions (open and closed). The cylinder locks have a single-key system i.e. the same key works in all locks (lock type 2233).

Drawings



Overview of items

**Quarter-turn locks compact lockable**

Order No.	Actuation	A
05564-1075	key	7,5

## Overview of items

Order No.	Actuation	A
05564-1135	key	13,5
05564-1195	key	19,5