

Item description/product images



Description

Material:

Housing and actuator die-cast zinc.
Nut brass.
O-ring NBR, flat seal CR.
Tongue steel.

Version:

Housing and actuator, trivalent passivated or black powder-coated.
Nut and tongue, electro zinc-plated.

Note:

This quarter-turn lock is vibration-resistant through a detent mechanism in the end position. Right or left mounting with 90° closing and internal rotation limit. The quarter-turn lock can be installed pre-assembled (limitations by small A-dimensions and thick doors). Tested according to DIN EN 60068-2-64 (vibration) and DIN EN 60068-2-27 (shock), test standard 61373. Vibration-proof as per rail applications category 1, class B requirements (highest requirement).

Water and dust proof as per IP65 through O-ring and flat seal.

Order the required tongue version separately. Every tongue can be combined with every housing.

Accessory:

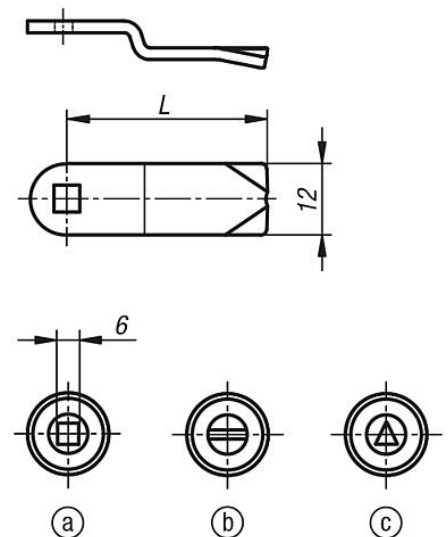
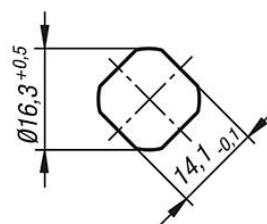
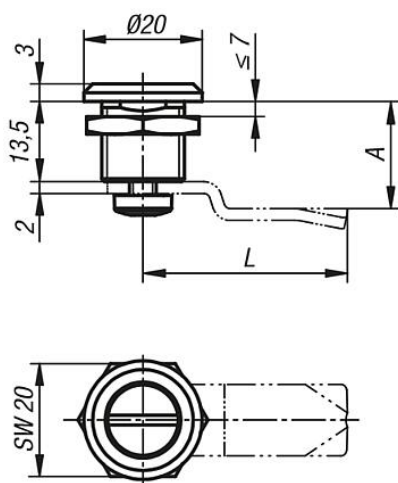
Key 05586.
Tongue for steel compact quarter-turn lock 05563.

Drawing reference:

Actuation:

- a) square 6 mm
- b) slot
- c) triangle 6,5 mm

Drawings



Overview of items

Quarter-turn locks compact

Order No.	Main colour	Actuation
05561-16131	silver	square 6 mm
05561-20131	silver	slot
05561-86131	silver	triangle 6.5 mm
05561-16132	black	square 6 mm
05561-20132	black	slot
05561-86132	black	triangle 6.5 mm

Tongue for quarter-turn lock

Order No.	A	L
05563-0124X075	7,5	24
05563-0124X135	13,5	24
05563-0124X195	19,5	24