

Item description/product images



Description

Material:

Housing and actuator die-cast zinc.
Nut brass nut. O-ring NBR, flat seal CR.

Version:

Housing trivalent passivated.
Actuator black powder-coated.
Nut electro zinc-plated.

Note:

This quarter-turn lock is vibration-resistant through a detent mechanism in the end position. Right or left mounting with 90° closing and internal rotation limit. The quarter-turn lock can be installed pre-assembled (limitations by small A-dimensions and thick doors).

Water and dust proof as per IP65 through O-ring and flat seal.

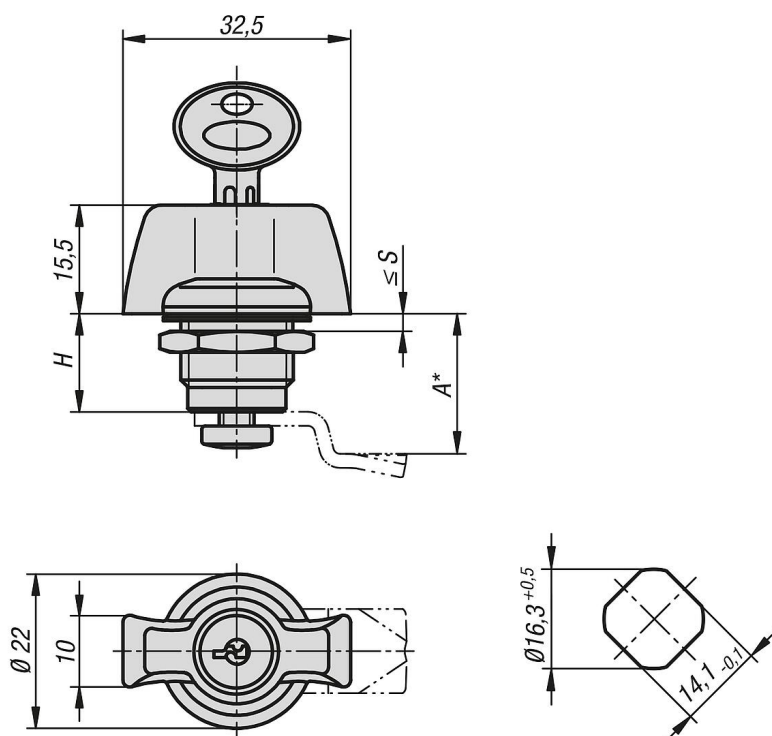
The lockable quarter-turn locks are supplied with 2 keys. The key can be removed in both positions (opened and closed). The cylinder locks have a single key system i.e. the same key works in all locks (cylinder lock 2233).

Order the required tongue version separately. Every tongue can be combined with every housing.

Accessory:

Key 05586.
Tongue for steel compact quarter-turn lock 05563.

Drawings



Overview of items

Order No.	Actuation	H	S max.
05562-30132	wing grip	13,5	5
05562-31132	lockable grip	13,5	5