

Item description/product images

**Description****Material:**

Housing and actuator, PA6 fibreglass reinforced plastic.
Nut die-cast zinc. O-ring NBR, flat seal CR.

Version:

Housing and actuator black.
Nut electro zinc-plated.

Note:

Quarter-turn lock with spring-loaded tongue. Right or left mounting with 90° closing.
The quarter-turn lock can be installed pre-assembled (limitations by a small A-dimension and thick doors).

Water and dust proof as per IP65 through the O-ring and flat seal.

Accessory:

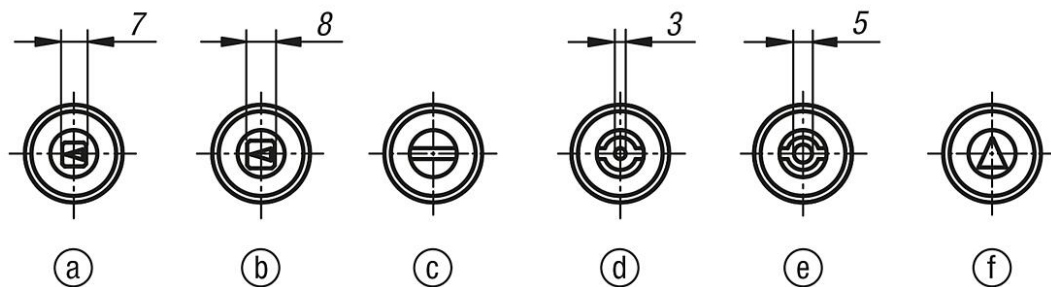
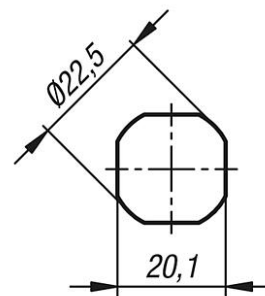
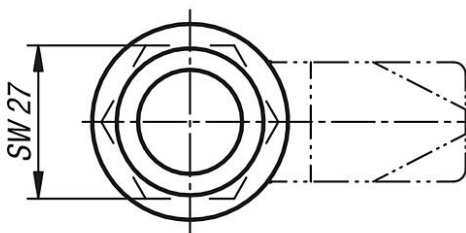
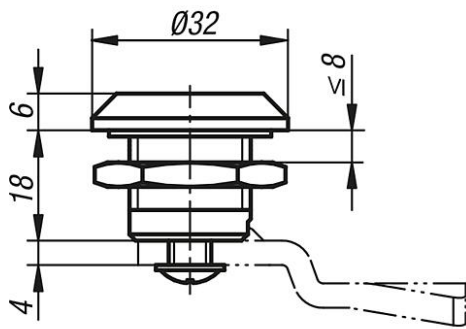
Key 05586.
Tongue for steel quarter-turn lock 05569.

Drawing reference:

Actuation:

- a) square 7 mm
- b) square 8 mm
- c) slot
- d) double lug 3 mm
- e) double lug 5 mm
- f) triangle 8 mm

Drawings



Overview of items

Order No.	Actuation
05567-17185	square 7 mm
05567-18185	square 8 mm
05567-20185	slot
05567-43185	double lug 3 mm
05567-45185	double lug 5 mm
05567-88185	triangle 8 mm