

## Item description/product images



## Description

**Material:**

Housing, actuator and nut die-cast zinc.  
O-ring NBR, flat seal CR.

**Version:**

Housing trivalent passivated.  
Actuator trivalent passivated or black powder-coated.  
Nut electro zinc-plated.

**Note:**

For right or left mounting with 90° closing and internal rotation limit. The quarter-turn lock can be installed pre-assembled (limitations by a small A-dimension and thick doors). The fastening nut is an earthing nut with teeth one side.

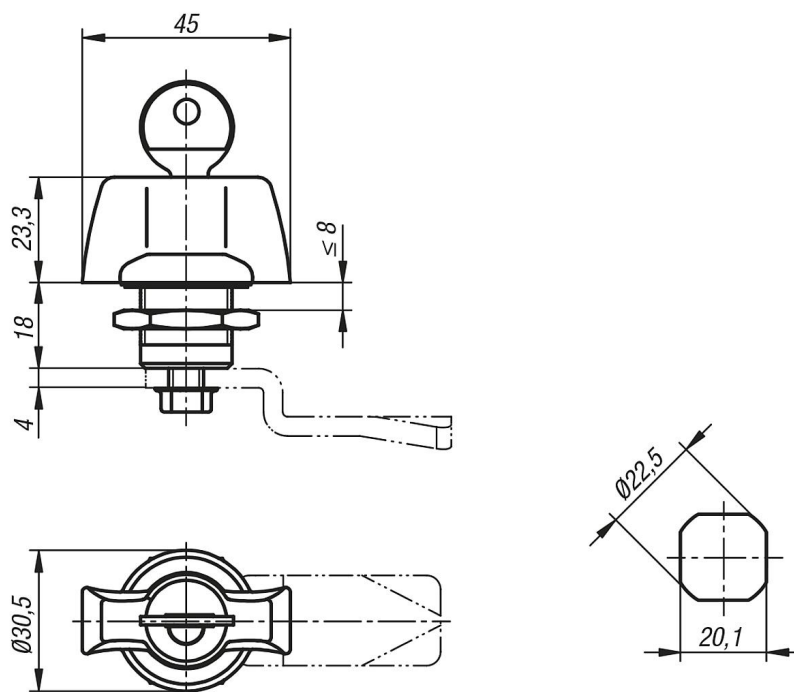
Dust and waterproof as per IP65 through an O-ring and flat seal.

The lockable quarter-turn locks are each supplied with 2 keys. The key can be removed in both positions (open and closed). The locks are keyed alike, i.e. they can all be opened using the same key (lock type 101 or 1333).

**Accessory:**

Key 05586.  
Tongue for steel quarter-turn lock without stop 05570

## Drawings



## Overview of items

Order No.	Finish	Actuation	Version
05571-1181	-	wing grip	-

## Overview of items

Order No.	Finish	Actuation	Version
05571-2181	-	lockable grip	lock 101
05571-3181	-	lockable grip	lock 1333
05571-1182	black	wing grip	-
05571-2182	black	lockable grip	lock 101
05571-3182	black	lockable grip	lock 1333