

Item description/product images

**Description****Material:**

Housing, actuator and nut die-cast zinc.
Flat seal CR.
Tongue steel.

Version:

Housing and actuator trivalent passivated.
Nut and tongue electro zinc-plated.

Note:

Compression quarter-turn locks are primarily used for doors and housings that require a higher pressure force on the seal. For right or left use. The locking process is always clockwise. The quarter-turn lock can be installed pre-assembled. Vibration-resistant thanks to spring-loaded detent mechanism in the "locked" end position. Tested according to DIN EN 60068-2-64 (vibration) and DIN EN 60068-2-27 (shock), test standard 61373. Vibration-proof as per the requirements for rail applications category 1, class B (=highest requirement).

Water and dustproof as per IP65.

Please order required tongue version separately. Every tongue can be combined with every housing.

Function:

Turning the actuator clockwise rotates the tongue 90° and brings it into the closed position. A further 90° rotation pulls the tongue in, increasing the pressure on the frame. The axial travel is 6 mm. With marking on housing for "locked" position.

Accessory:

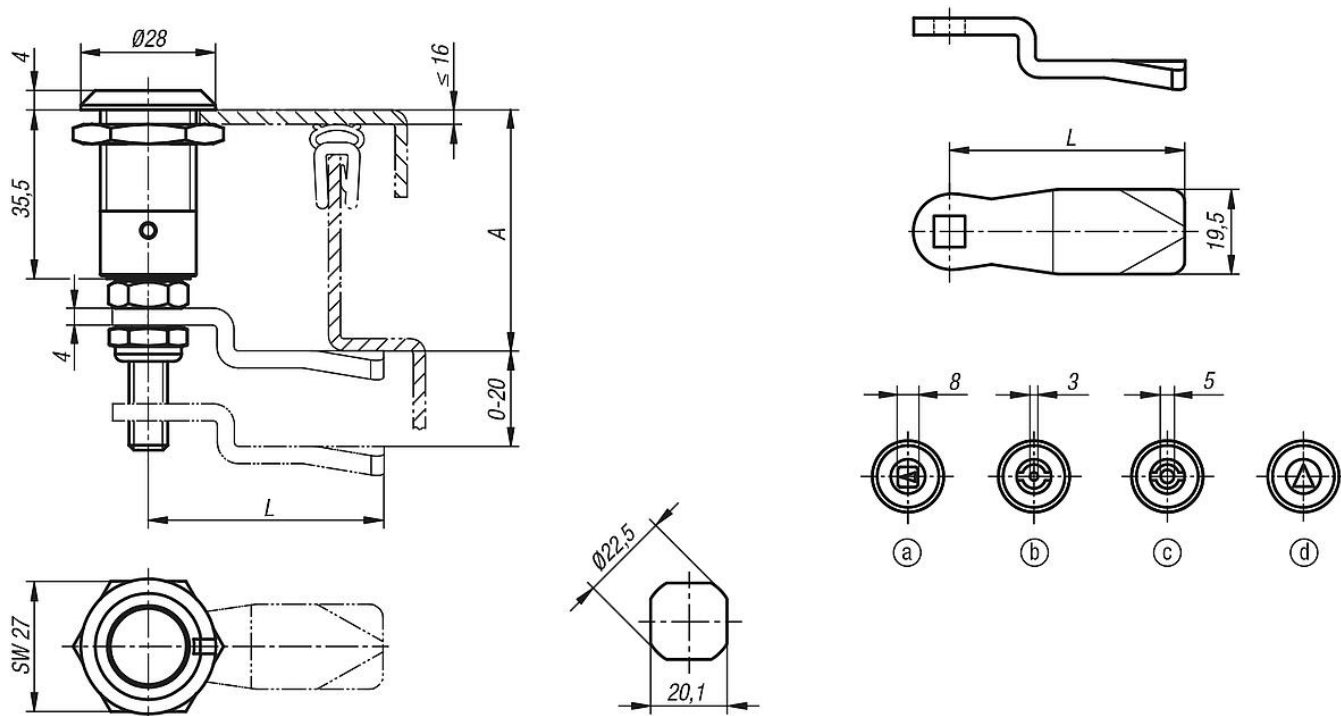
Key 05586.
Tongue for steel quarter-turn lock without stop 05570

Drawing reference:

Actuation:

- a) square 8 mm
- b) double lug 3 mm
- c) double lug 5 mm
- d) triangle 8 mm

Drawings



Overview of items

Compression latches with adjustable tongue gap

Order No.	Actuation
05575-18351	square 8 mm
05575-43351	double lug 3 mm
05575-45351	double lug 5 mm
05575-88351	triangle 8 mm

Tongue for quarter-turn lock

Order No.	A for housing length H=35.5	L
05570-145X040	-	45
05570-145X060	-	45
05570-145X080	-	45
05570-145X100	-	45
05570-145X120	-	45
05570-145X140	-	45
05570-145X160	-	45
05570-145X180	-	45
05570-145X200	-	45
05570-145X220	-	45
05570-145X240	-	45
05570-145X260	-	45
05570-145X280	-	45
05570-145X300	-	45
05570-145X320	-	45
05570-145X340	-	45
05570-145X360	-	45
05570-145X380	-	45
05570-145X400	-	45
05570-145X420	-	45
05570-145X440	-	45

Overview of items

Order No.	A for housing length H=35.5	L
05570-145X460	-	45
05570-145X480	-	45
05570-145X500	-	45
05570-135X160	-	35
05570-135X180	-	35
05570-135X200	-	35
05570-135X220	-	35
05570-135X240	-	35