

Item description/product images



Description

Material:

Housing, actuator and nut die-cast zinc.
O-ring NBR, flat seal CR.

Version:

Housing and actuator, black, powder-coated.
Nut electro zinc-plated.

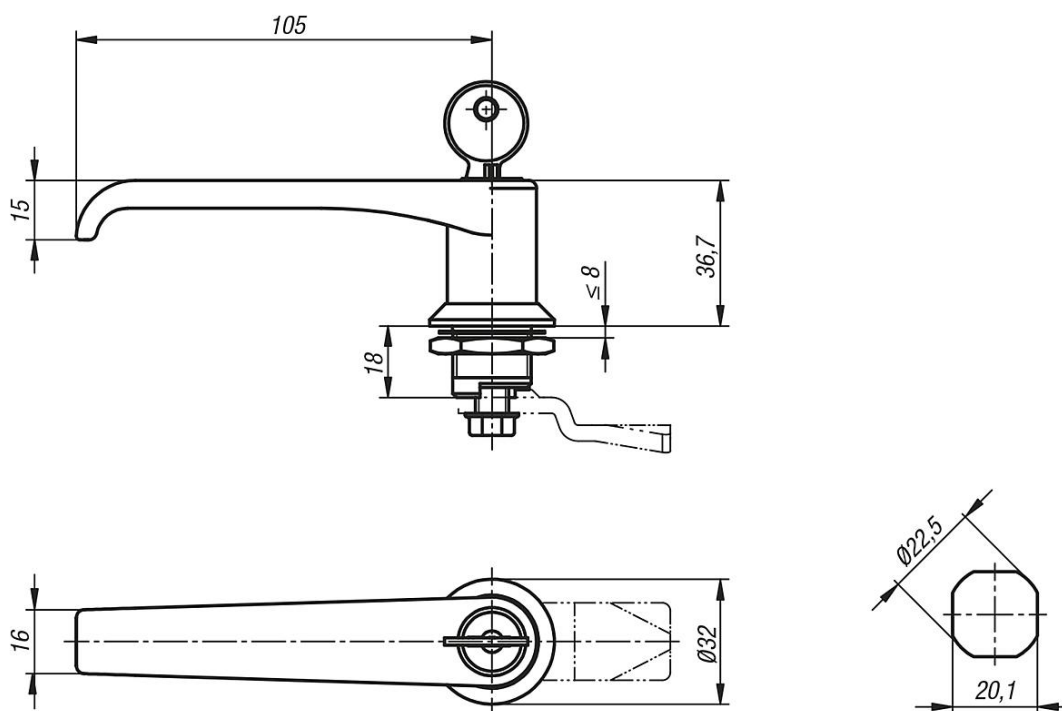
Note:

Right or left mounting with 90° closing. The quarter-turn lock can be installed pre-assembled (limitations by a small A-dimension and thick doors). The fastening nut has claws allowing it to be used as an earthing nut.

Water and dust proof as per IP65 through the O-ring and flat seal.

The lockable quarter-turn locks are supplied with 2 keys. The key can be removed in both positions (open and closed). The cylinder locks have a single-key system, i.e. the same key works in all locks (lock type 101 or 1333).

Drawings



Overview of items

| Order No. | Actuation | Version |
|------------|-----------------|-----------|
| 05573-1182 | L-grip | - |
| 05573-2182 | lockable L-grip | lock 101 |
| 05573-3182 | lockable L-grip | lock 1333 |

