

Item description/product images

**Description****Material:**

Housing, actuator and nut die-cast zinc.
O-ring NBR, flat seal CR.

Version:

Housing and actuator, black, powder-coated.
Nut electro zinc-plated.

Note:

Right or left mounting with 90° closing. The quarter-turn lock can be installed pre-assembled (limitations by a small A-dimension and thick doors). The fastening nut has claws allowing it to be used as an earthing nut.

Water and dust proof as per IP65 through the O-ring and flat seal.

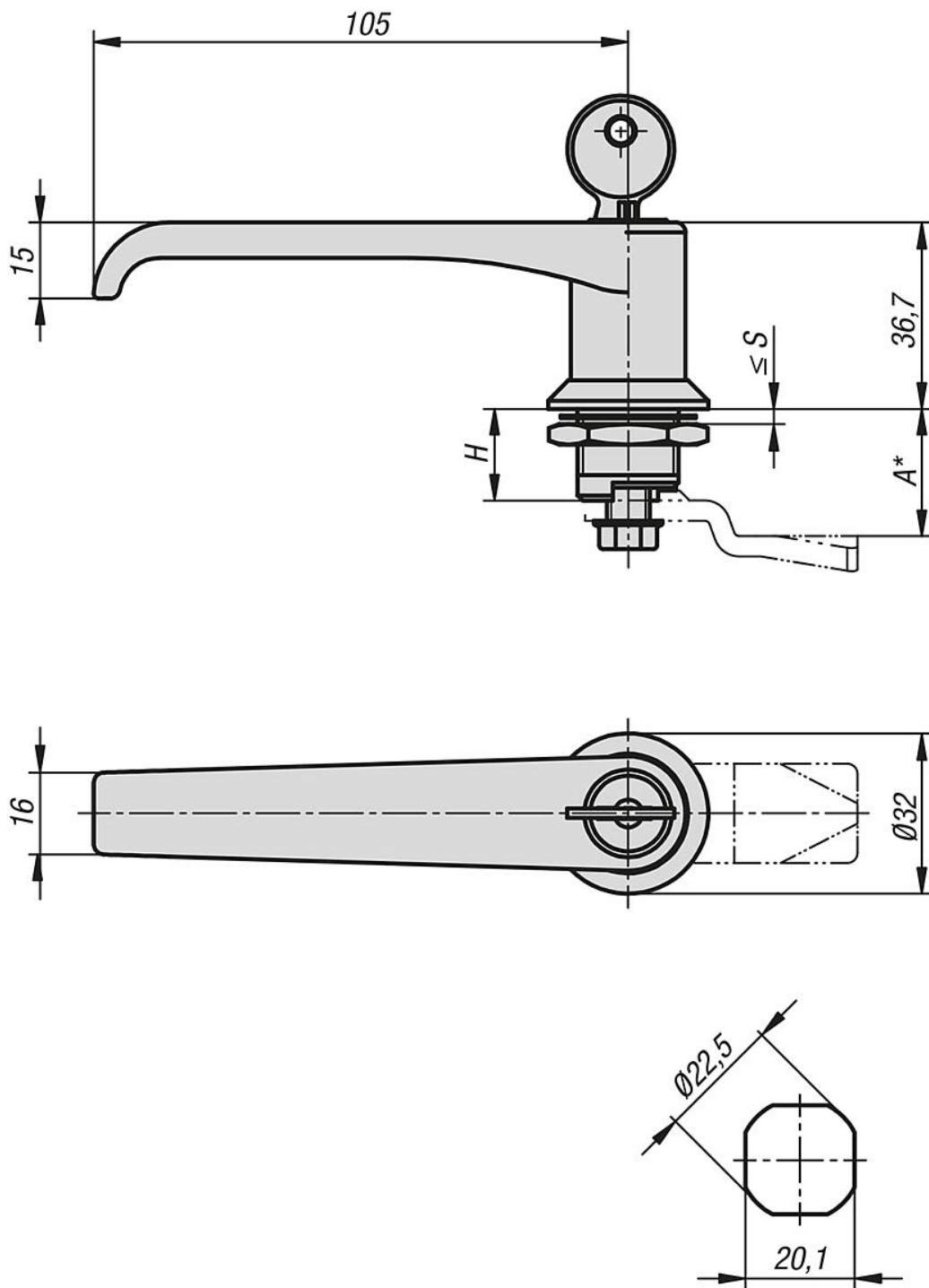
The lockable quarter-turn locks are supplied with 2 keys. The key can be removed in both positions (open and closed). The cylinder locks have a single-key system, i.e. the same key works in all locks (lock type 101 or 1333).

Order required tongue version separately. Every tongue can be combined with every housing.

Accessory:

Keys for latches and locks 05586.
Tongue for steel quarter-turn lock 05569.

Drawings



Overview of items

Order No.	Actuation	Version	H	S max.
05573-1182	L-grip	-	18	8
05573-2182	lockable L-grip	lock 101	18	8
05573-3182	lockable L-grip	lock 1333	18	8

