

Item description/product images

**Description****Material:**

Aluminium 6060 T5.
Screws and nuts stainless steel.
Washers PA.

Version:

Black anodised

Note:

These hinges have a detent mechanism. These index every 30° from 0° to 270° and hold doors or hatches open or tightly closed.
The detent torque is not adjustable.

The hinges are designed for over 30,000 operating cycles.
Torque tolerance $\pm 20\%$.

Fastened using DIN 912/ DIN EN ISO 4762 cap screws.

The loading values given for the hinges are non-binding reference values, which do not consider safety factors and exclude any liability. The values given are for information purposes only and do not constitute a legally binding assurance of properties.

These load values were determined under laboratory conditions. Each user must determine individually whether the hinge is suitable for the respective application. Different materials onto which the hinges are installed and the type of mounting, weather conditions and wear can influence the determined values.

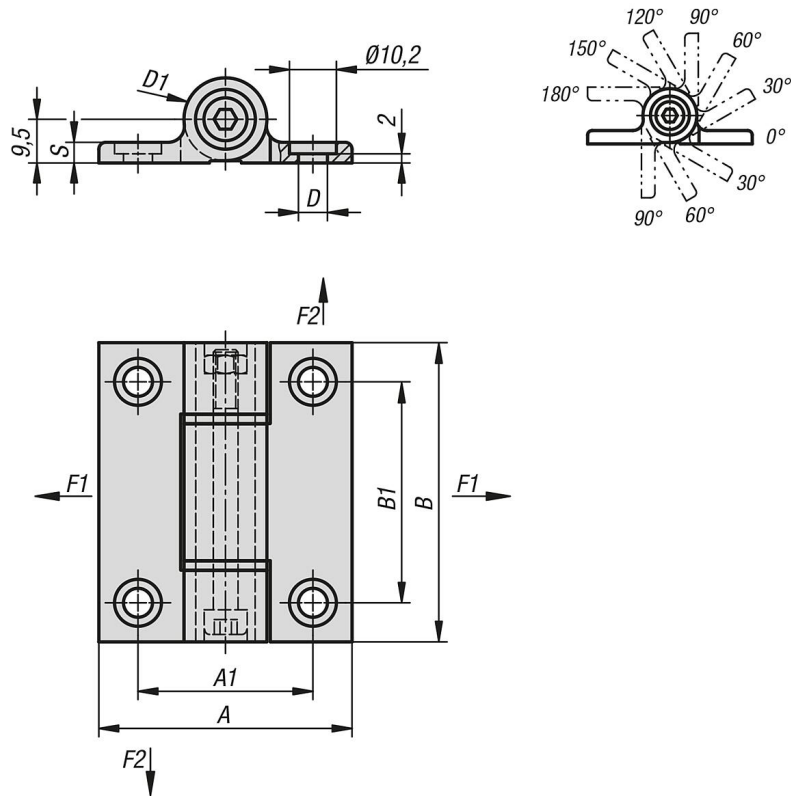
Temperature range:

From -30°C to +70°C

Accessory:

Socket head screws with hexagon socket DIN 912/EN ISO 4762.

Drawings



Overview of items

Order No.	A	A1	B	B1	D	D1	S	F1 N	F2 N	Max. torque Nm
27862-556711	55	38	67	48	6,3	18	4,5	11300	5700	1,8
27862-556712	55	38	67	48	6,3	18	4,5	11300	5700	2,5
27862-556713	55	38	67	48	6,3	18	4,5	11300	5700	3,2
27862-556715	55	38	67	48	6,3	18	4,5	11300	5700	5