

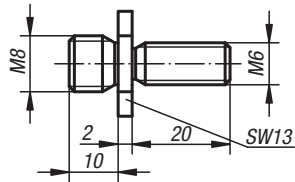
# Technical information for deflection dial gauge holders

For alternative mounting for the deflection dial gauge holder:

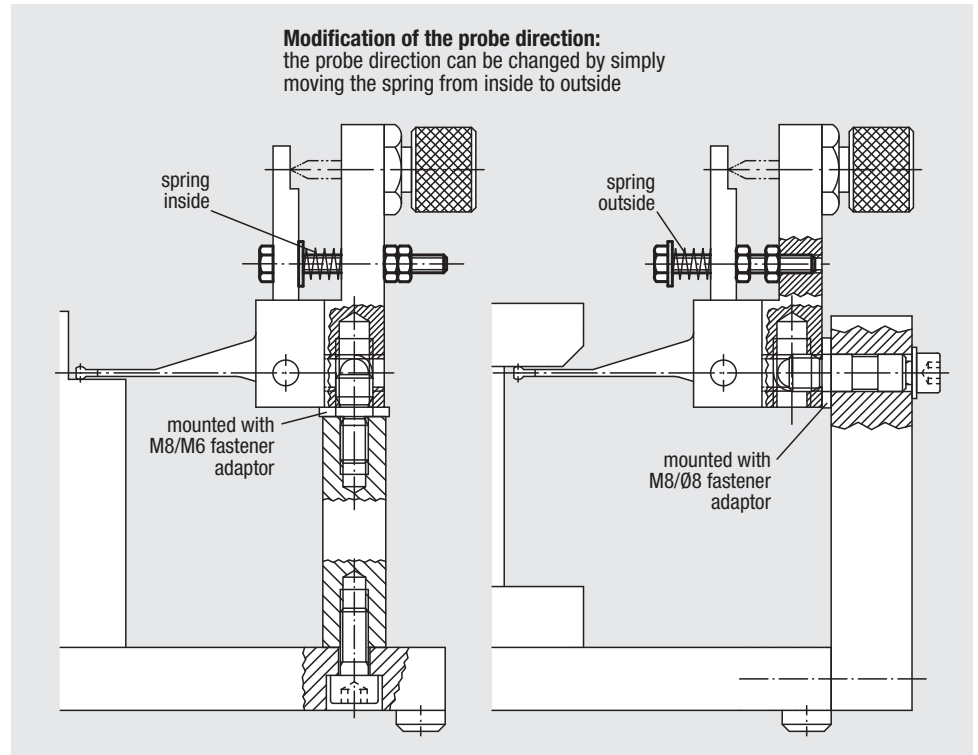
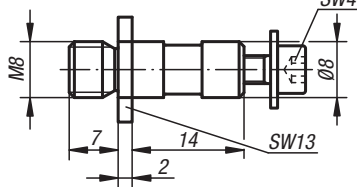
- mounting adaptor M8/M6 (double thread)
- mounting adaptor M8/Ø8 (thread and smooth pin)

Both adapters are supplied with each deflection dial gauge holder.

mounting adaptor M8/M6



mounting adaptor M8/Ø8



## Example of simultaneous control of 4 height dimensions using deflection dial gauge holders

