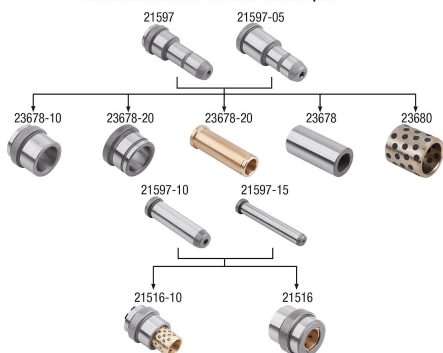


Item description/product images



Possible combinations of the various standard parts



Description

Material:

Bronze with graphite inserts.

Version:

Self-lubricating.
Hardness 190-220 HB.

Note:

The guide bushes are radially and axially applicable.
The bearing elements are maintenance-free and wear-resistant.
The graphite inserts provide life-long lubrication.

Preferably for travel speeds < 0.5 m/s. (Additional lubrication is recommended for extreme loading with a higher travel speeds).

Technical data:

Material properties:

Base alloy: CuZn25Al6FeMn3

Density: 8.0 g/cm³

Tensile strength Rm: 750 N/mm²

Yield point: 450 N/mm²

Ductile fracture A5: 5-8%

Friction coefficient: 0.05 - 0.12

Maximum speed: 15 m/min

Thermal conductivity: 50 W/m x k

Thermal expansion coefficient: 18 x 10⁻⁶

Electrical conductivity: 7-8 m/(Ω x mm²)

Solid lubricant content: 25-30 %

Temperature range:

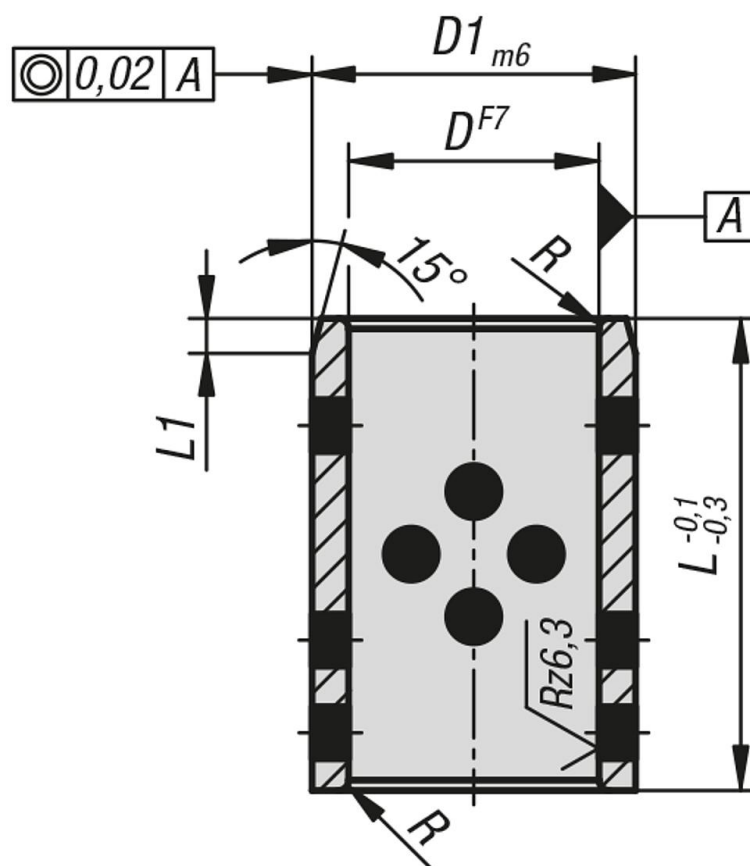
Temporary temperature peaks up to ca. 200°C.

Tolerances:

The bore for the bearings should correspond to ISO tolerance H7.

The tolerance h6 to h7 is recommended for the shaft.

Drawings



Overview of items

Order No.	D	D1	L	L1	R
23680-008011014	8	11	14	1	1
23680-008011015	8	11	15	1	1
23680-008012008	8	12	8	1	1
23680-008012010	8	12	10	1	1
23680-008012012	8	12	12	1	1
23680-008012015	8	12	15	1	1
23680-010014008	10	14	8	1	1
23680-010014010	10	14	10	1	1
23680-010014012	10	14	12	1	1
23680-010014015	10	14	15	1	1
23680-010014020	10	14	20	1	1
23680-010015010	10	15	10	1	1
23680-012016010	12	16	10	2	1
23680-012016012	12	16	12	2	1
23680-012016020	12	16	20	2	1
23680-012018010	12	18	10	2	1
23680-012018012	12	18	12	2	1
23680-012018015	12	18	15	2	1
23680-012018016	12	18	16	2	1
23680-012018020	12	18	20	2	1
23680-012018025	12	18	25	2	1
23680-012018030	12	18	30	2	1
23680-013019010	13	19	10	2	1
23680-013019016	13	19	16	2	1
23680-013019020	13	19	20	2	1
23680-014020010	14	20	10	2	1
23680-014020012	14	20	12	2	1

Overview of items

Order No.	D	D1	L	L1	R
23680-014020015	14	20	15	2	1
23680-014020020	14	20	20	2	1
23680-014020025	14	20	25	2	1
23680-014020030	14	20	30	2	1
23680-015021010	15	21	10	2	1
23680-015021012	15	21	12	2	1
23680-015021015	15	21	15	2	1
23680-015021020	15	21	20	2	1
23680-015021025	15	21	25	2	1
23680-015021030	15	21	30	2	1
23680-016020016	16	20	16	2	1
23680-016020020	16	20	20	2	1
23680-016020025	16	20	25	2	1
23680-016020028	16	20	28	2	1
23680-016022010	16	22	10	2	1
23680-016022012	16	22	12	2	1
23680-016022015	16	22	15	2	1
23680-016022016	16	22	16	2	1
23680-016022020	16	22	20	2	1
23680-016022025	16	22	25	2	1
23680-016022030	16	22	30	2	1
23680-016022035	16	22	35	2	1
23680-016022040	16	22	40	2	1
23680-018024012	18	24	12	2	1
23680-018024015	18	24	15	2	1
23680-018024016	18	24	16	2	1
23680-018024018	18	24	18	2	1
23680-018024020	18	24	20	2	1
23680-018024025	18	24	25	2	1
23680-018024030	18	24	30	2	1
23680-018024035	18	24	35	2	1
23680-018024040	18	24	40	2	1
23680-019026015	19	26	15	2	1
23680-019026020	19	26	20	2	1
23680-020026015	20	26	15	3	1
23680-020026020	20	26	20	3	1
23680-020026025	20	26	25	3	1
23680-020026030	20	26	30	3	1
23680-020028010	20	28	10	2	1
23680-020028012	20	28	12	2	1
23680-020028015	20	28	15	2	1
23680-020028016	20	28	16	2	1
23680-020028020	20	28	20	2	1
23680-020028025	20	28	25	2	1
23680-020028030	20	28	30	2	1
23680-020028035	20	28	35	2	1
23680-020028040	20	28	40	2	1
23680-020028050	20	28	50	2	1
23680-020030016	20	30	16	2	1
23680-020030020	20	30	20	2	1
23680-020030025	20	30	25	2	1
23680-020030030	20	30	30	2	1
23680-020030035	20	30	35	2	1
23680-020030040	20	30	40	2	1
23680-022032012	22	32	12	3	2
23680-022032015	22	32	15	3	2
23680-022032020	22	32	20	3	2
23680-022032025	22	32	25	3	2
23680-025030020	25	30	20	3	2
23680-025033012	25	33	12	3	2
23680-025033016	25	33	16	3	2
23680-025033020	25	33	20	3	2
23680-025033025	25	33	25	3	2
23680-025033030	25	33	30	3	2
23680-025033035	25	33	35	3	2

Overview of items

Order No.	D	D1	L	L1	R
23680-025033040	25	33	40	3	2
23680-025033050	25	33	50	3	2
23680-025033060	25	33	60	3	2
23680-025035012	25	35	12	3	2
23680-025035016	25	35	16	3	2
23680-025035020	25	35	20	3	2
23680-025035025	25	35	25	3	2
23680-025035030	25	35	30	3	2
23680-025035035	25	35	35	3	2
23680-025035040	25	35	40	3	2
23680-025035050	25	35	50	3	2
23680-025035060	25	35	60	3	2
23680-030038015	30	38	15	3	2
23680-030038020	30	38	20	3	2
23680-030038025	30	38	25	3	2
23680-030038030	30	38	30	3	2
23680-030038035	30	38	35	3	2
23680-030038040	30	38	40	3	2
23680-030038045	30	38	45	3	2
23680-030038050	30	38	50	3	2
23680-030038060	30	38	60	3	2
23680-030040020	30	40	20	3	2
23680-030040025	30	40	25	3	2
23680-030040030	30	40	30	3	2
23680-030040035	30	40	35	3	2
23680-030040040	30	40	40	3	2
23680-030040050	30	40	50	3	2
23680-030040060	30	40	60	3	2
23680-030045040	30	45	40	3	2
23680-031040030	31	40	30	3	2
23680-031040040	31	40	40	3	2
23680-032042030	32	42	30	3	2
23680-032042040	32	42	40	3	2
23680-035044025	35	44	25	3	2
23680-035044035	35	44	35	3	2
23680-035044040	35	44	40	3	2
23680-035044050	35	44	50	3	2
23680-035044060	35	44	60	3	2
23680-035045020	35	45	20	3	2
23680-035045025	35	45	25	3	2
23680-035045030	35	45	30	3	2
23680-035045035	35	45	35	3	2
23680-035045040	35	45	40	3	2
23680-035045045	35	45	45	3	2
23680-035045050	35	45	50	3	2
23680-035045060	35	45	60	3	2
23680-035045100	35	45	100	3	2
23680-038048030	38	48	30	3	2
23680-038048040	38	48	40	3	2
23680-040050020	40	50	20	3	2
23680-040050025	40	50	25	3	2
23680-040050030	40	50	30	3	2
23680-040050035	40	50	35	3	2
23680-040050040	40	50	40	3	2
23680-040050050	40	50	50	3	2
23680-040050060	40	50	60	3	2
23680-040050080	40	50	80	3	2
23680-040055025	40	55	25	3	2
23680-040055030	40	55	30	3	2
23680-040055035	40	55	35	3	2
23680-040055040	40	55	40	3	2
23680-040055050	40	55	50	3	2
23680-040055060	40	55	60	3	2
23680-045055030	45	55	30	3	2
23680-045055035	45	55	35	3	2

Overview of items

Order No.	D	D1	L	L1	R
23680-045055040	45	55	40	3	2
23680-045055050	45	55	50	3	2
23680-045055060	45	55	60	3	2
23680-045055110	45	55	110	3	2
23680-045056030	45	56	30	3	2
23680-045056035	45	56	35	3	2
23680-045056040	45	56	40	3	2
23680-045056050	45	56	50	3	2
23680-045056060	45	56	60	3	2
23680-045060030	45	60	30	3	2
23680-045060040	45	60	40	3	2
23680-045060050	45	60	50	3	2
23680-045060060	45	60	60	3	2
23680-045060070	45	60	70	3	2
23680-045060080	45	60	80	3	2
23680-050060030	50	60	30	3	2
23680-050060035	50	60	35	3	2
23680-050060040	50	60	40	3	2
23680-050060050	50	60	50	3	2
23680-050060060	50	60	60	3	2
23680-050060070	50	60	70	3	2
23680-050060080	50	60	80	3	2
23680-050062030	50	62	30	3	2
23680-050062035	50	62	35	3	2
23680-050062040	50	62	40	3	2
23680-050062050	50	62	50	3	2
23680-050062060	50	62	60	3	2
23680-050062070	50	62	70	3	2
23680-050062080	50	62	80	3	2
23680-050065030	50	65	30	3	2
23680-050065040	50	65	40	3	2
23680-050065050	50	65	50	3	2
23680-050065060	50	65	60	3	2
23680-050065070	50	65	70	3	2
23680-050065080	50	65	80	3	2
23680-050065100	50	65	100	3	2