

## Item description/product images



## Description

**Material:**

Carbon steel.

**Version:**

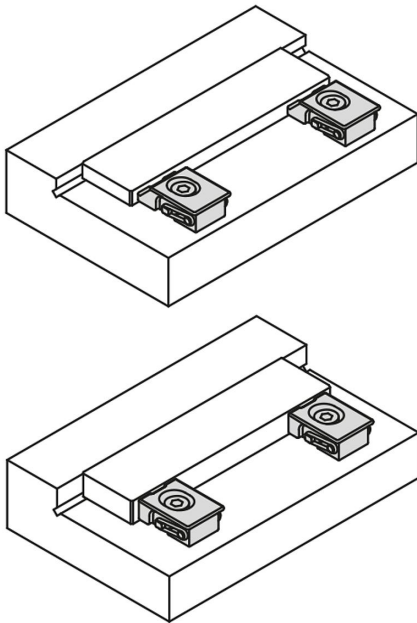
Hardened (33–39 HRC) and black oxidised.

**Note:**

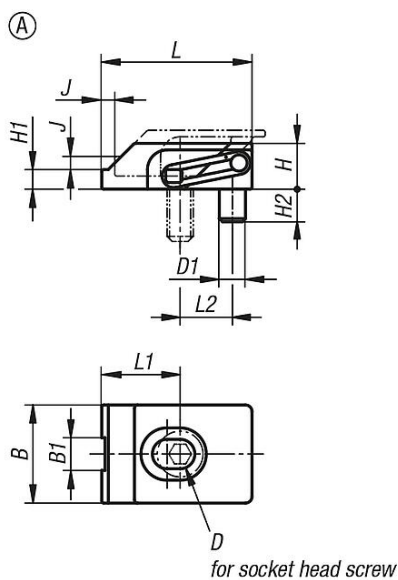
Particularly low workpieces can be clamped using these flat clamps.  
Clamping element with pull-down effect.  
Clamping element and fixed block in one compact unit.

**Drawing reference:**

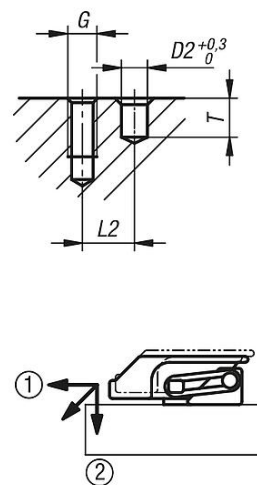
Dimension L1 refers to clamped state.



## Drawings



## installation instructions



(Jaws exert positive down force)

- ① Horizontal thrust against workpiece
- ② Vertical thrust prevents the workpiece lifting

## Overview of items

Order No.	Form	B	B1	D1	D2	G	H	H1	H2	J	L	L1	L2	T	Clamping force max. kN	Tightening torque max. Nm
04571-104	A	15	5	4	4	M4	7	3	5	2	23	12	8	6	2	2,7
04571-105	A	19	7	5	5	M5	9	4	6	2,5	28	14	10	7	3	5,4