

Item description/product images



Description

Material:

Carbon steel.

Version:

Forged, black electro zinc-plated.

Application:

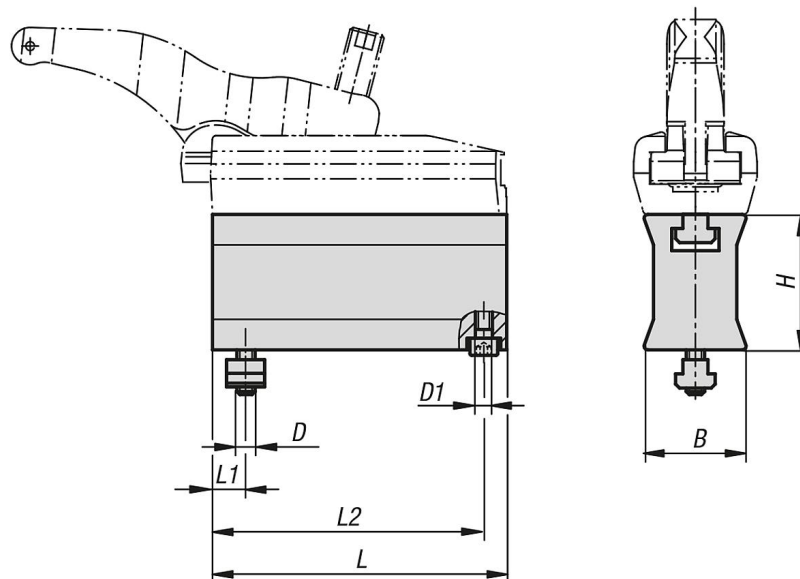
The riser is positioned and fastened to the machine table, the power clamp is then screwed onto the riser.

By turning the adjustment screw on the power clamp, the height of the clamping arm can be infinitely adjusted and the workpiece clamped.

Advantages:

- Other clamping heights can be achieved by mounting multiple risers one on the other.
- Infinite transition between clamping heights.
- Simple element assembly.
- For use in 12-28 mm T-slots or M10, M12, M16, M20 grid systems.

Drawings



Overview of items

Order No.	Version 2	Slot width	B	D	D1	H	L	L1	L2	Clamping force kN
04630-012060	long	14	45	M12	M8	60	135	12	127	30
04630-016070	long	18	48	M16	M8	70	155	16	145	43
04630-020080	long	22	58	M20	M10	80	175	19	165	49
04630-110035	short	12	36	M10	M6	35	65	12	58,5	22
04630-112035	short	14	36	M12	M6	35	65	12	58,5	22
04630-112060	short	14	44,5	M12	M8	60	95	12	88	32
04630-116070	short	18	47,5	M16	M8	70	110	16	100	40

