

Item description/product images



Description

Material:

Steel.

Version:

Telescopic clamping unit and fastening set black oxidised.

Shaft bright.

Note:

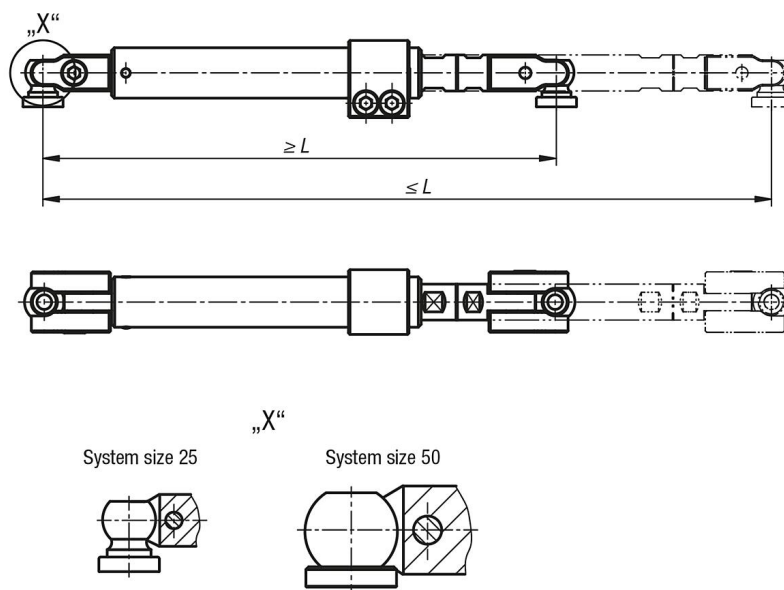
The length of the workpiece stabiliser is infinitely adjustable. The shaft can be securely clamped against tension and thrust by means of a locking mechanism.

The workpiece stabiliser consists of a telescopic clamping unit with two fastening sets and two clamping balls with Form B cups for system sizes 25 or 50.

On request:

Fastening set with clamping ball.

Drawings



Overview of items

Order No.	Size	L min.	L max.	weight kg
02400-255305	25	255	305	2,03
02400-355505	25	355	505	2,58
02400-50350450	50	350	450	6,7
02400-50450650	50	450	650	7,7

