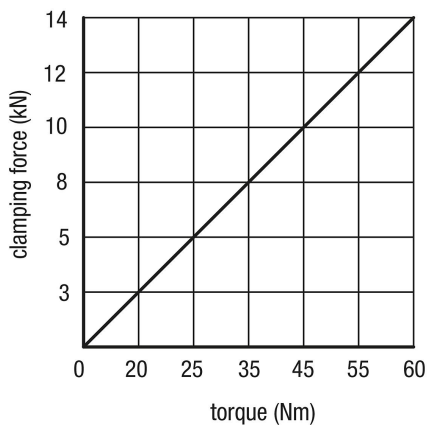


Item description/product images



Description

Material:

Body and jaw holder mild steel.
Spindle high-strength special steel.

Version:

Body and jaw holder hardened and ground.

Note for ordering:

Supplied with hexagon crank handle.
Order jaw plates separately.

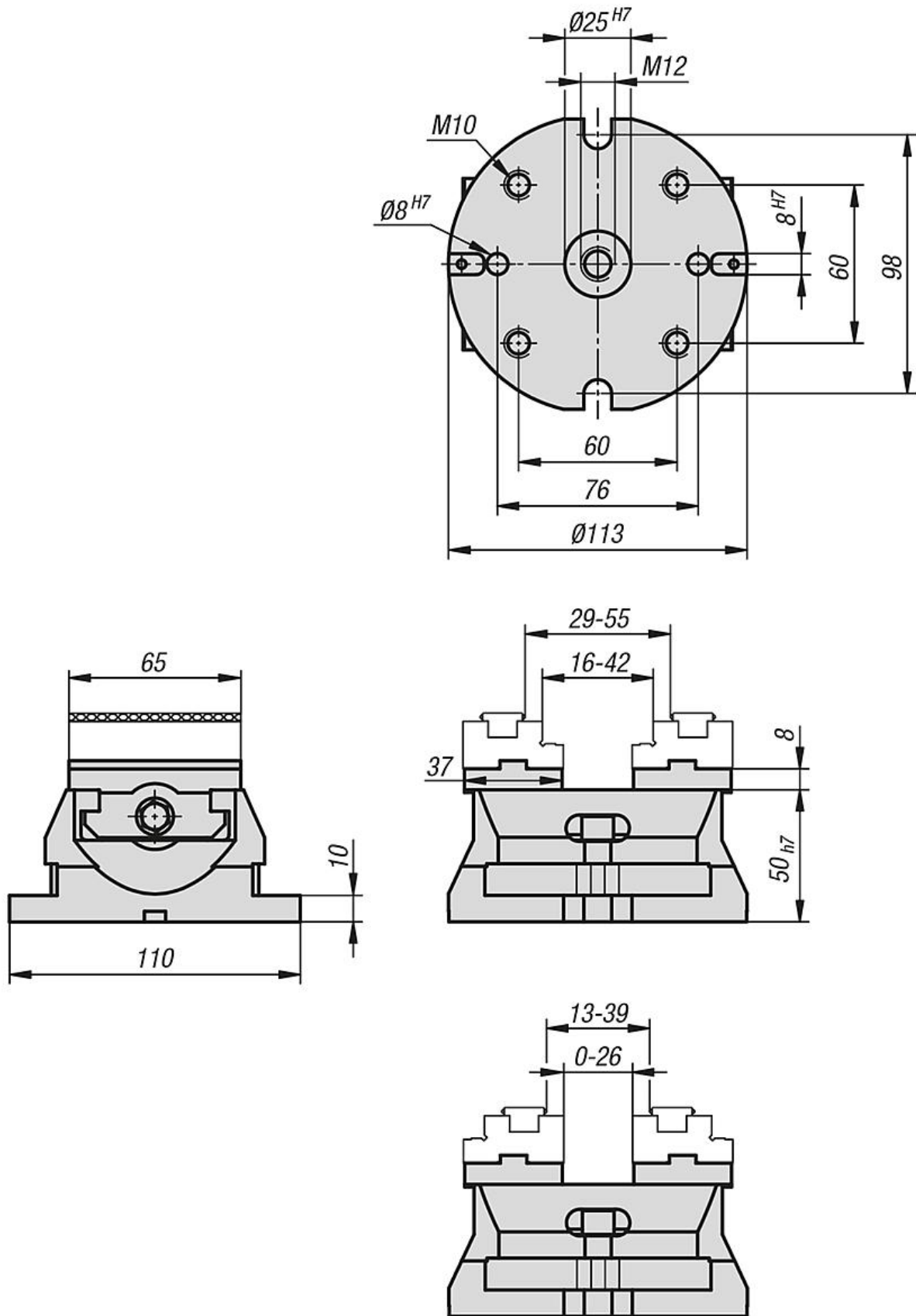
Note:

Mechanically operated centric vice.
Suitable for automation: prepared with gripper slot for handling systems.
Flexible mounting: suitable for zero-point systems, mounting on machine tables or on custom systems via a baseplate.
Centring precision: +/- 0.02 mm.

The use of a torque wrench is recommended to achieve a controlled clamping force.

Features:

- Clamping slide and spindle nut in one piece
- Slots and fastening threads for mounting attachment jaws
- Reversible jaws (accessories) with lateral thread for workpiece stop enables a wider clamping range
- Good swarf and coolant removal



Overview of items

Order No.	Dimensions	weight kg
41101-065100	see drawing	3,33