

Item description/product images



for electrics

Description

Material:

Casing high-tensile aluminium.
Clamping arm steel.

Version:

Clamping arm black oxidised.

Note:

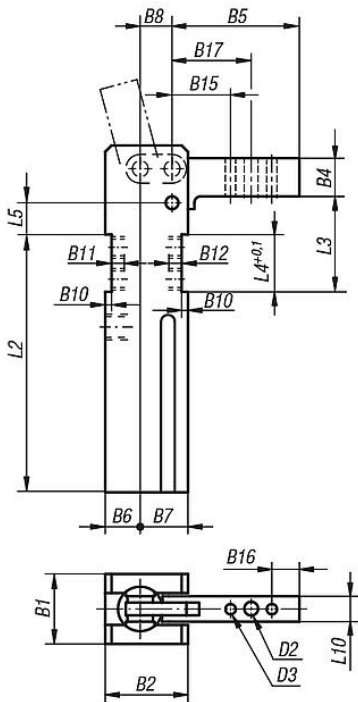
The mini clamp is characterised by its small dimensions, positioning accuracy of the clamping arm and light construction. Mini clamps are fully self-limiting. The clamping force is guaranteed even when the pressure is removed through the over dead-centre position of the toggle lever on the clamping arm. The permanent lubrication and special bearing bushings make the mini clamps maintenance-free. They can be operated using dry, oil-free air.

On request:

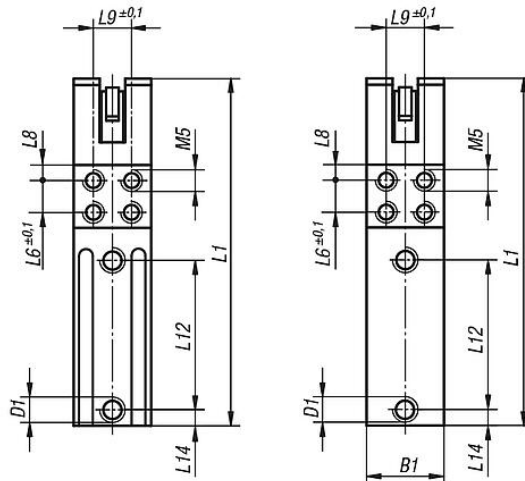
Clamping arm without holes.

Drawings

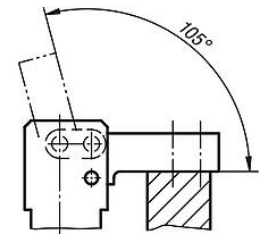
electronic end position feedback



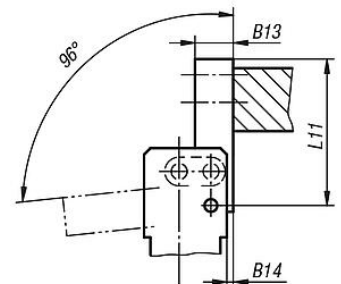
no end position feedback



Form A
vertical clamping force
max. opening angle 105°

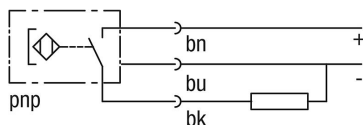


Form B
horizontal clamping force
max. opening angle 96°



Drawings

Electrical connection diagram



Connection type	PICO
Operating voltage (V)	10...30 VDC
Residual ripple (%)	≤ 10
Intrinsic current consumption (mA)	≤ 2,0
Constant current (mA)	≤ 120
Switching hysteresis (mm)	≤ 1
Condition display	LED
Permissible environmental temperature (°C)	-25...+70
Protection class (DIN 40 050)	IP 67

Overview of items

Mini clamp with electronic end position feedback

Order No. Form A	Order No. Form B	Size	Tightening torque Nm at 5 bar	Retaining torque Nm	Operating pressure bar with oil-free air	Max pressure bar with oil-free air	B1	B2	B4	B5	B6	B7	B8	B10	B11	B12	B13	B14
05650-0500111	05650-0500121	2	8	25	5	6	26	32	15	50	14	18	12	2,5	5	7	12	2
05650-0900111	05650-0900121	3	15	54	5	6	30	39	18	60	17	22	15	3	6	8	16	3
05650-1000111	05650-1000121	4	25	75	5	6	35	45	22	75	20	25	18	4	6	8	18	4

Order No. Form A	Order No. Form B	Size	B15	B16	B17	D1	D2	D3	L1	L2	L3	L4	L5	L6	L8	L9	L10	L11	L12	L14
05650-0500111	05650-0500121	2	28	6	36	M5	5,5	4	123	96	27,5	20	7,5	10	5	16	10	50	57	12
05650-0900111	05650-0900121	3	32	8	42	G1/8	6,5	5	158	120	40	25	14	15	5	20	12	60	69	15
05650-1000111	05650-1000121	4	40	10	52,5	G1/8	8,5	6	182	136	47	28	17	18	5	25	16	75	80	17,5

Mini clamp without end position feedback

Order No. Form A	Order No. Form B	Size	Tightening torque Nm at 5 bar	Retaining torque Nm	Operating pressure bar with oil-free air	Max pressure bar with oil-free air	B1	B2	B4	B5	B6	B7	B8	B10	B11	B12	B13	B14
05650-0500411	05650-0500421	2	8	25	5	6	26	32	15	50	14	18	12	2,5	5	7	12	2
05650-0900411	05650-0900421	3	15	54	5	6	30	39	18	60	17	22	15	3	6	8	16	3
05650-1000411	05650-1000421	4	25	75	5	6	35	45	22	75	20	25	18	4	6	8	18	4

Order No. Form A	Order No. Form B	Size	B15	B16	B17	D1	D2	D3	L1	L2	L3	L4	L5	L6	L8	L9	L10	L11	L12	L14
05650-0500411	05650-0500421	2	28	6	36	M5	5,5	4	123	96	27,5	20	7,5	10	5	16	10	50	57	12
05650-0900411	05650-0900421	3	32	8	42	G1/8	6,5	5	158	120	40	25	14	15	5	20	12	60	69	15
05650-1000411	05650-1000421	4	40	10	52,5	G1/8	8,5	6	182	136	47	28	17	18	5	25	16	75	80	17,5