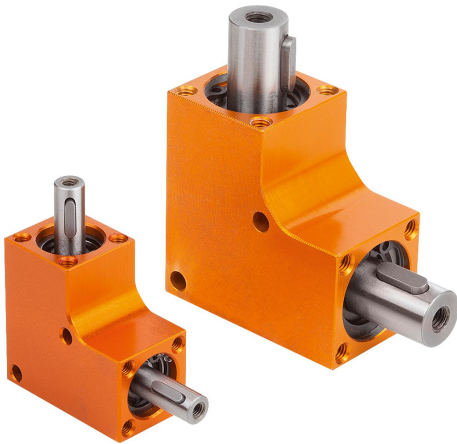


Item description/product images



Description

Material:

Housing aluminium. Bevel gears steel.

Version:

Housing anodised.

Bevel gears surface hardened.

Ball bearing with rubber sealing washer RS.

Note:

Universally applicable and maintenance-free bevel gear in seven different sizes with the ratio 1:1. The housing is sealed to prevent grease leakage and keep dust out. Can be mounted in any position. The rotation direction is arbitrary.

- smooth power transmission
- simple screw fastening
- quiet

Technical data:

Duty cycle: 20% (at 5 min.)

Service life: ca. 1000 hours (at full load, speed 500 rpm and duty cycle 20%)

Temperature range:

-20 °C to +60 °C.

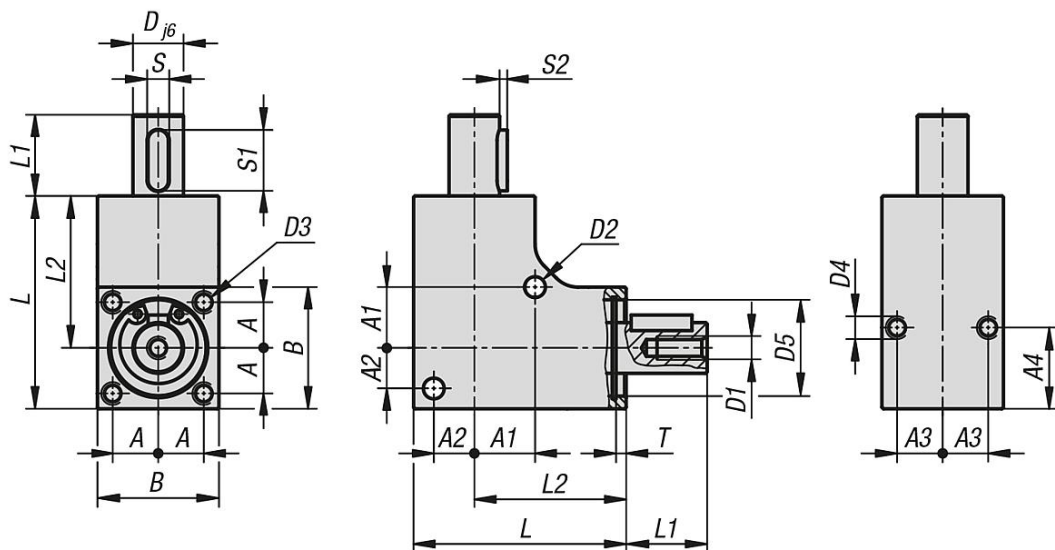
Note:

FR permissible radial force at $F_A=0$

F_A permissible axial force st $F_R=0$

The keys are not aligned to each other.

Drawings



Overview of items

Order No.	Transmission ratio	speed range n rpm	Max. torque Nm	D	A	A1	A2	A3	A4	B
22712-1832	1:1	100 / 500 / 1000	0,35 / 0,1 / 0,05	6	6,5	8,5	6	6,5	11	18
22712-2035	1:1	100 / 500 / 1000	0,75 / 0,3 / 0,15	8	7,5	10	7	7,5	10	20
22712-2442	1:1	100 / 500 / 1000	2,5 / 1 / 0,5	10	9	12	8	9	16	24
22712-2646	1:1	100 / 500 / 1000	4 / 1,5 / 0,75	12	10	13	9	10	16	26
22712-3053	1:1	100 / 500 / 1000	5 / 2 / 1	12	11	15	11	11	16	30
22712-3256	1:1	100 / 500 / 1000	8 / 3 / 1,5	12	12	17	12	12	16	32
22712-3560	1:1	100 / 500 / 1000	10 / 4 / 2	12	13	17,5	13,5	13	16	35

Order No.	D1	D2	D3	D4	D5	L	L1	L2	S	S1	S2	T	Shaft load FR N	Shaft load FA N
22712-1832	M3x8	3,1	M3x10	M3x6	13	32	12	23	2	8	0,8	2,1	60	60
22712-2035	M3x8	3,1	M3x10	M3x6	16	35	12	25	2	8	0,8	2,05	100	100
22712-2442	M4x8	4,1	M4x10	M4x8	19	42	16	30	4	12	1,5	2	120	120
22712-2646	M5x8	4,1	M4x10	M4x8	21	46	16	33	4	12	1,5	2	140	140
22712-3053	M5x8	4,1	M4x10	M4x8	24	53	16	38	4	12	1,5	2,1	240	240
22712-3256	M5x8	4,1	M4x10	M4x8	28	56	16	40	4	12	1,5	2,1	550	550
22712-3560	M5x8	4,1	M4x10	M4x8	30	60	16	42,5	4	12	1,5	2,1	550	550