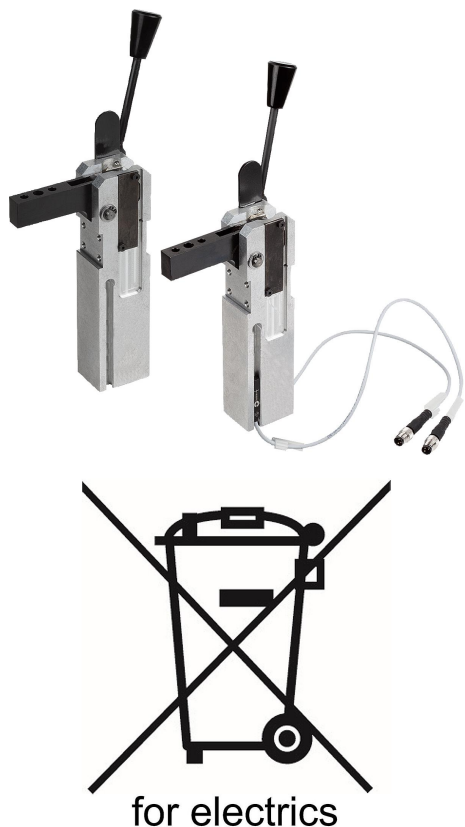


Item description/product images



Description

Material:

Casing high-tensile aluminium.
Clamping arm steel.

Version:

Clamping arm black oxidised.

Note:

The mini clamp is characterised by its small size, positioning accuracy of the clamping arm, and lightweight construction. Mini clamps are fully self-locking. The clamping force is guaranteed even when the pressure is removed through the over dead-centre position of the toggle lever on the clamping arm. The permanent lubrication and special bearing bushings make the mini clamps maintenance-free. They can be operated using dry, oil-free air. The manual closing and locking using the hand lever. Pneumatic opening and closing.

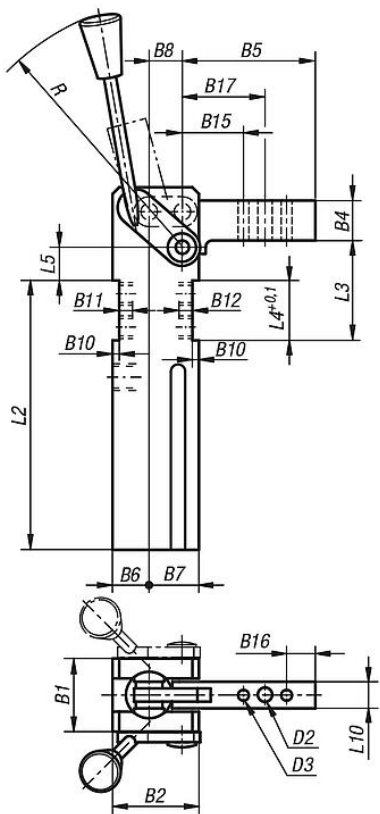
Attention: A 5/3-way valve is required, middle position vented.

On request:

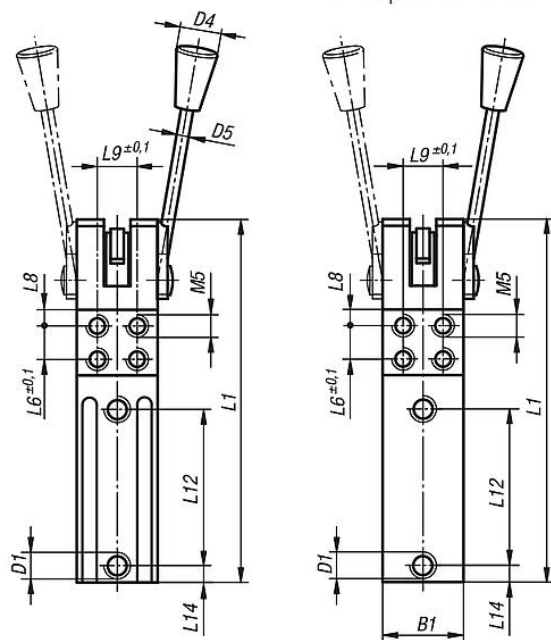
Clamping arm without holes.

Drawings

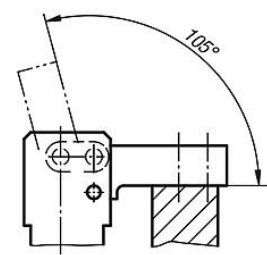
electronic end position feedback



no end position feedback

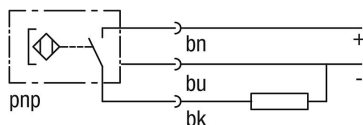


Form A
vertical clamping force
max. opening angle 105°



Drawings

Electrical connection diagram



Connection type	PICO
Operating voltage (V)	10...30 VDC
Residual ripple (%)	≲ 10
Intrinsic current consumption (mA)	≲ 2,0
Constant current (mA)	≲ 120
Switching hysteresis (mm)	≲ 1
Condition display	LED
Permissible environmental temperature (°C)	-25...+70
Protection class (DIN 40 050)	IP 67

Overview of items

Mini clamp with electronic end position feedback

Order No.	Size	Tightening torque Nm at 5 bar	Retaining torque Nm	Operating pressure bar with oil-free air	Max pressure bar with oil-free air	B1	B2	B4	B5	B6	B7	B8	B10	B11	B12	B15	B16	B17
05652-081111	2	8	25	5	6	26	32	15	50	14	18	12	2,5	5	7	28	6	36
05652-081112	2	8	25	5	6	26	32	15	50	14	18	12	2,5	5	7	28	6	36
05652-151111	3	15	54	5	6	30	39	18	60	17	22	15	3	6	8	32	8	42
05652-151112	3	15	54	5	6	30	39	18	60	17	22	15	3	6	8	32	8	42
05652-251111	4	25	75	5	6	35	45	22	75	20	25	18	4	6	8	40	10	52,5
05652-251112	4	25	75	5	6	35	45	22	75	20	25	18	4	6	8	40	10	52,5

Order No.	Size	D1	D2	D3	D4	D5	L1	L2	L3	L4	L5	L6	L8	L9	L10	L12	L14	R	manual operated
05652-081111	2	M5	5,5	4	20	9	123	96	27,5	20	7,5	10	5	16	10	57	12	135	left
05652-081112	2	M5	5,5	4	20	9	123	96	27,5	20	7,5	10	5	16	10	57	12	135	right
05652-151111	3	G 1/8	6,5	5	20	9	158	120	40	25	14	15	5	20	12	69	15	135	left
05652-151112	3	G 1/8	6,5	5	20	9	158	120	40	25	14	15	5	20	12	69	15	135	right
05652-251111	4	G 1/8	8,5	6	20	9	182	136	47	28	17	18	5	25	16	80	17,5	135	left
05652-251112	4	G 1/8	8,5	6	20	9	182	136	47	28	17	18	5	25	16	80	17,5	135	right

Mini clamp without end position feedback

Order No.	Size	Tightening torque Nm at 5 bar	Retaining torque Nm	Operating pressure bar with oil-free air	Max pressure bar with oil-free air	B1	B2	B4	B5	B6	B7	B8	B10	B11	B12	B15	B16	B17
05652-084111	2	8	25	5	6	26	32	15	50	14	18	12	2,5	5	7	28	6	36
05652-084112	2	8	25	5	6	26	32	15	50	14	18	12	2,5	5	7	28	6	36
05652-154111	3	15	54	5	6	30	39	18	60	17	22	15	3	6	8	32	8	42
05652-154112	3	15	54	5	6	30	39	18	60	17	22	15	3	6	8	32	8	42
05652-254111	4	25	75	5	6	35	45	22	75	20	25	18	4	6	8	40	10	52,5
05652-254112	4	25	75	5	6	35	45	22	75	20	25	18	4	6	8	40	10	52,5

Order No.	Size	D1	D2	D3	D4	D5	L1	L2	L3	L4	L5	L6	L8	L9	L10	L12	L14	R	manual operated
05652-084111	2	M5	5,5	4	20	9	123	96	27,5	20	7,5	10	5	16	10	57	12	135	left
05652-084112	2	M5	5,5	4	20	9	123	96	27,5	20	7,5	10	5	16	10	57	12	135	right
05652-154111	3	G 1/8	6,5	5	20	9	158	120	40	25	14	15	5	20	12	69	15	135	left
05652-154112	3	G 1/8	6,5	5	20	9	158	120	40	25	14	15	5	20	12	69	15	135	right
05652-254111	4	G 1/8	8,5	6	20	9	182	136	47	28	17	18	5	25	16	80	17,5	135	left
05652-254112	4	G 1/8	8,5	6	20	9	182	136	47	28	17	18	5	25	16	80	17,5	135	right

