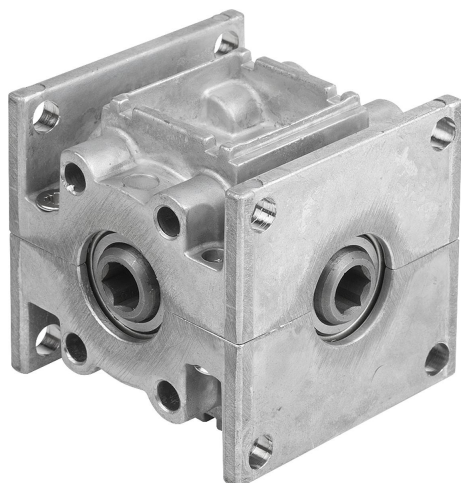


## Item description/product images

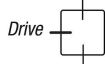


## Number and arrangement of drive/output:

One output  
22714-1171



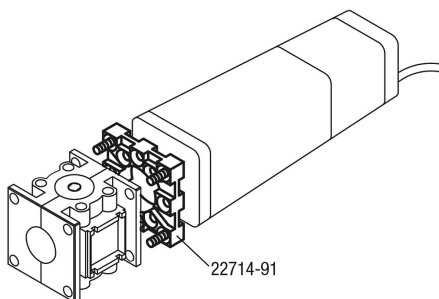
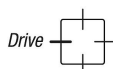
Two outputs  
opposing  
22714-1172



Two outputs 90°  
22714-1173



Three outputs  
22714-1174



## Description

**Material:**

Housing die-cast zinc.  
Bevel gears steel.

**Version:**

Housing bright.  
Bevel gears surface hardened.  
Ball bearing with sealing washer RS.

**Note:**

Universally applicable and maintenance-free bevel gear, particularly suitable for drives with electric motors. The housing is sealed to prevent grease leakage and keep dust out. Can be mounted in any position. The rotation direction is arbitrary.

Drive and output over a hexagon socket.

This bevel gear transmission is ideal for use as a diversion drive, distribution transmission or gear reducer for electric motors; e.g. for louvre or actuators in special machine constructions.

**Technical data:**

Duty cycle: 20% (at 5 min.)

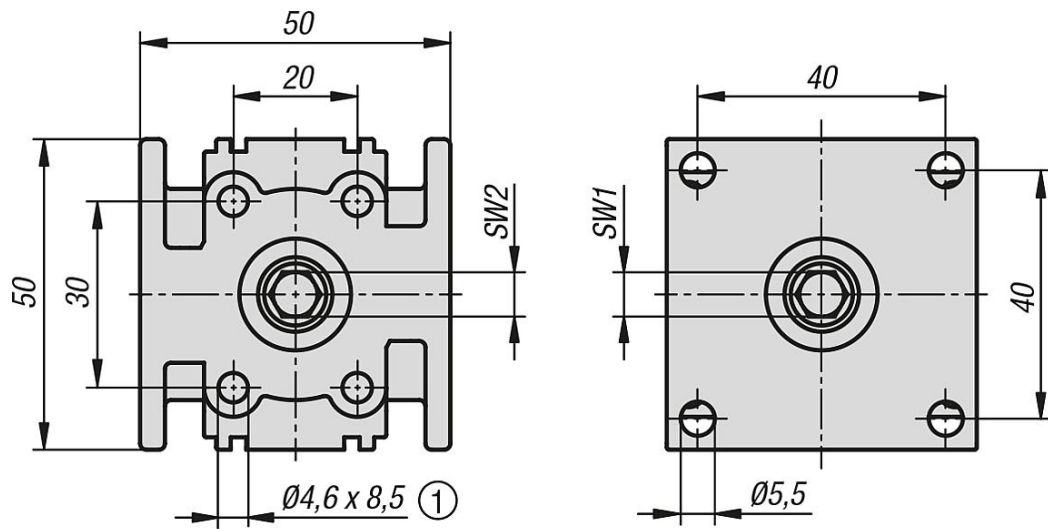
**Temperature range:**

-20 °C to +40 °C.

**Drawing reference:**

1) For DIN 7500 M5 self-tapping screws.

## Drawings



## Overview of items

Order No.	Item	Transmission ratio	max. rpm	Max. driving torque M Nm	SW1	SW2
22714-1171	Bevel Gear	1:1	150	10	7	7
22714-1172	Bevel Gear	1:1	150	10	7	7
22714-1173	Bevel Gear	1:1	150	10	7	7
22714-1174	Bevel Gear	1:1	150	10	7	7
22714-91	Mounting Flange	-	-	-	-	-