

Item description/product images



Description

Material:

Disc handwheel aluminium.
 Cylinder grip black thermoset PF 31-DIN 7708.
 Hub electro zinc-plated steel.

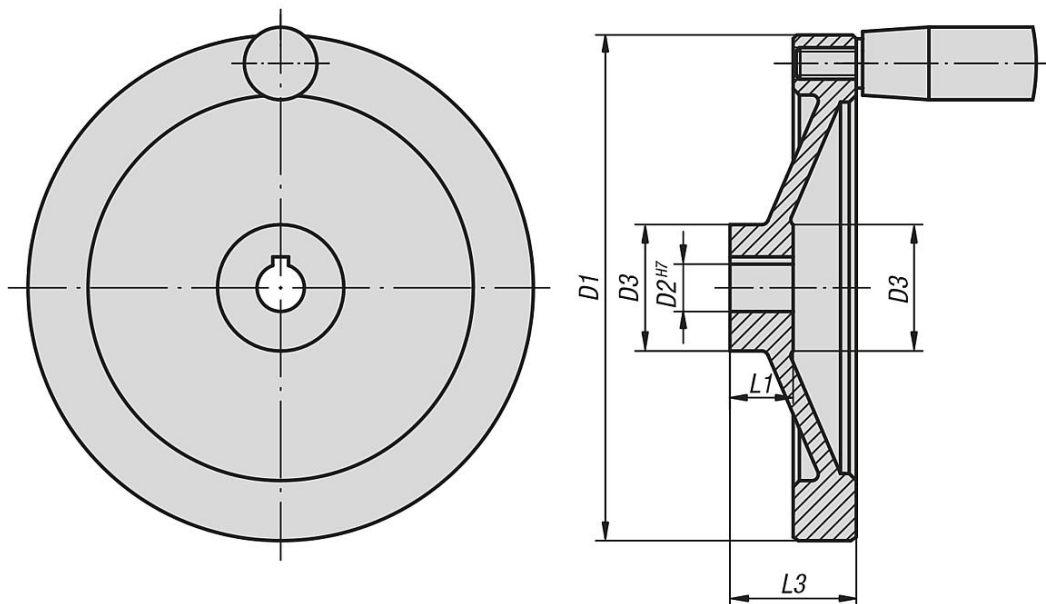
Version:

Black, powder-coated.
 Wheel rim turned.

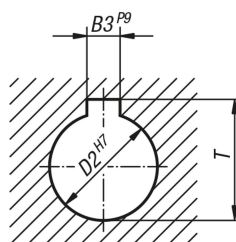
On request:

Hubs with square socket.

Drawings



DIN 6885-1



Overview of items

Handwheels disc, aluminium, without grip

Order No.	Version 1	D1	D2	D3	L1	L3	B3	T	Fixed cylinder grip	Revolving cylinder grip
06275-01080X10	reamed hole	80	10H7	26	16	31	-	-	-	-
06275-01080X12	reamed hole	80	12H7	26	16	31	-	-	-	-
06275-01100X10	reamed hole	100	10H7	31	17	34	-	-	-	-

Overview of items

Order No.	Version 1	D1	D2	D3	L1	L3	B3	T	Fixed cylinder grip	Revolving cylinder grip
06275-01100X12	reamed hole	100	12H7	31	17	34	-	-	-	-
06275-01125X12	reamed hole	125	12H7	30	18	37	-	-	-	-
06275-01125X14	reamed hole	125	14H7	30	18	37	-	-	-	-
06275-01140X14	reamed hole	140	14H7	34	19	34	-	-	-	-
06275-01140X15	reamed hole	140	15H7	34	19	34	-	-	-	-
06275-01160X15	reamed hole	160	15H7	40	20	40	-	-	-	-
06275-01160X16	reamed hole	160	16H7	40	20	40	-	-	-	-
06275-01200X18	reamed hole	200	18H7	50	24	46	-	-	-	-
06275-01200X20	reamed hole	200	20H7	50	24	46	-	-	-	-
06275-01250X22	reamed hole	250	22H7	50	28	49	-	-	-	-
06275-01250X24	reamed hole	250	24H7	50	28	49	-	-	-	-
06275-11080X10	reamed hole with slot	80	10H7	26	16	31	3	11,4	-	-
06275-11080X12	reamed hole with slot	80	12H7	26	16	31	4	13,8	-	-
06275-11100X10	reamed hole with slot	100	10H7	31	17	34	3	11,4	-	-
06275-11100X12	reamed hole with slot	100	12H7	31	17	34	4	13,8	-	-
06275-11125X12	reamed hole with slot	125	12H7	30	18	37	4	13,8	-	-
06275-11125X14	reamed hole with slot	125	14H7	30	18	37	5	16,3	-	-
06275-11140X14	reamed hole with slot	140	14H7	34	19	34	5	16,3	-	-
06275-11140X15	reamed hole with slot	140	15H7	34	19	34	5	17,3	-	-
06275-11160X15	reamed hole with slot	160	15H7	40	20	40	5	17,3	-	-
06275-11160X16	reamed hole with slot	160	16H7	40	20	40	5	18,3	-	-
06275-11200X18	reamed hole with slot	200	18H7	50	24	46	6	20,8	-	-
06275-11200X20	reamed hole with slot	200	20H7	50	24	46	6	22,8	-	-
06275-11250X22	reamed hole with slot	250	22H7	50	28	49	6	24,8	-	-
06275-11250X24	reamed hole with slot	250	24H7	50	28	49	8	27,3	-	-
06275-21080X10	reamed hole	80	10H7	26	16	31	-	-	ø18 x M6 x 40	-
06275-21080X12	reamed hole	80	12H7	26	16	31	-	-	ø18 x M6 x 40	-
06275-21100X10	reamed hole	100	10H7	31	17	34	-	-	ø18 x M6 x 40	-
06275-21100X12	reamed hole	100	12H7	31	17	34	-	-	ø18 x M6 x 40	-
06275-21125X12	reamed hole	125	12H7	30	18	37	-	-	ø21 x M8 x 50	-
06275-21125X14	reamed hole	125	14H7	30	18	37	-	-	ø21 x M8 x 50	-
06275-21140X14	reamed hole	140	14H7	34	19	34	-	-	ø21 x M8 x 50	-
06275-21140X15	reamed hole	140	15H7	34	19	34	-	-	ø21 x M8 x 50	-
06275-21160X15	reamed hole	160	15H7	40	20	40	-	-	ø26 x M10 x 80	-
06275-21160X16	reamed hole	160	16H7	40	20	40	-	-	ø26 x M10 x 80	-
06275-21200X18	reamed hole	200	18H7	50	24	46	-	-	ø26 x M10 x 80	-
06275-21200X20	reamed hole	200	20H7	50	24	46	-	-	ø26 x M10 x 80	-
06275-21250X22	reamed hole	250	22H7	50	28	49	-	-	ø28 x M12 x 90	-
06275-21250X24	reamed hole	250	24H7	50	28	49	-	-	ø28 x M12 x 90	-
06275-31080X10	reamed hole with slot	80	10H7	26	16	31	3	11,4	ø18 x M6 x 40	-
06275-31080X12	reamed hole with slot	80	12H7	26	16	31	4	13,8	ø18 x M6 x 40	-
06275-31100X10	reamed hole with slot	100	10H7	31	17	34	3	11,4	ø18 x M6 x 40	-
06275-31100X12	reamed hole with slot	100	12H7	31	17	34	4	13,8	ø18 x M6 x 40	-
06275-31125X12	reamed hole with slot	125	12H7	30	18	37	4	13,8	ø21 x M8 x 50	-
06275-31125X14	reamed hole with slot	125	14H7	30	18	37	5	16,3	ø21 x M8 x 50	-
06275-31140X14	reamed hole with slot	140	14H7	34	19	34	5	16,3	ø21 x M8 x 50	-
06275-31140X15	reamed hole with slot	140	15H7	34	19	34	5	17,3	ø21 x M8 x 50	-
06275-31160X15	reamed hole with slot	160	15H7	40	20	40	5	17,3	ø26 x M10 x 80	-
06275-31160X16	reamed hole with slot	160	16H7	40	20	40	5	18,3	ø26 x M10 x 80	-
06275-31200X18	reamed hole with slot	200	18H7	50	24	46	6	20,8	ø26 x M10 x 80	-
06275-31200X20	reamed hole with slot	200	20H7	50	24	46	6	22,8	ø26 x M10 x 80	-
06275-31250X22	reamed hole with slot	250	22H7	50	28	49	6	24,8	ø28 x M12 x 90	-
06275-31250X24	reamed hole with slot	250	24H7	50	28	49	8	27,3	ø28 x M12 x 90	-
06275-41080X10	reamed hole	80	10H7	26	16	31	-	-	-	ø18 x M6 x 40
06275-41080X12	reamed hole	80	12H7	26	16	31	-	-	-	ø18 x M6 x 40
06275-41100X10	reamed hole	100	10H7	31	17	34	-	-	-	ø18 x M6 x 40
06275-41100X12	reamed hole	100	12H7	31	17	34	-	-	-	ø18 x M6 x 40
06275-41125X12	reamed hole	125	12H7	30	18	37	-	-	-	ø22 x M8 x 56
06275-41125X14	reamed hole	125	14H7	30	18	37	-	-	-	ø22 x M8 x 56
06275-41140X14	reamed hole	140	14H7	34	19	34	-	-	-	ø22 x M8 x 56
06275-41140X15	reamed hole	140	15H7	34	19	34	-	-	-	ø22 x M8 x 56
06275-41160X15	reamed hole	160	15H7	40	20	40	-	-	-	ø26 x M10 x 80
06275-41160X16	reamed hole	160	16H7	40	20	40	-	-	-	ø26 x M10 x 80
06275-41200X18	reamed hole	200	18H7	50	24	46	-	-	-	ø26 x M10 x 80

Overview of items

Order No.	Version 1	D1	D2	D3	L1	L3	B3	T	Fixed cylinder grip	Revolving cylinder grip
06275-41200X20	reamed hole	200	20H7	50	24	46	-	-	-	ø26 x M10 x 80
06275-41250X22	reamed hole	250	22H7	50	28	49	-	-	-	ø31 x M12 x 102
06275-41250X24	reamed hole	250	24H7	50	28	49	-	-	-	ø31 x M12 x 102
06275-51080X10	reamed hole with slot	80	10H7	26	16	31	3	11,4	-	ø18 x M6 x 40
06275-51080X12	reamed hole with slot	80	12H7	26	16	31	4	13,8	-	ø18 x M6 x 40
06275-51100X10	reamed hole with slot	100	10H7	31	17	34	3	11,4	-	ø18 x M6 x 40
06275-51100X12	reamed hole with slot	100	12H7	31	17	34	4	13,8	-	ø18 x M6 x 40
06275-51125X12	reamed hole with slot	125	12H7	30	18	37	4	13,8	-	ø22 x M8 x 56
06275-51125X14	reamed hole with slot	125	14H7	30	18	37	5	16,3	-	ø22 x M8 x 56
06275-51140X14	reamed hole with slot	140	14H7	34	19	34	5	16,3	-	ø22 x M8 x 56
06275-51140X15	reamed hole with slot	140	15H7	34	19	34	5	17,3	-	ø22 x M8 x 56
06275-51160X15	reamed hole with slot	160	15H7	40	20	40	5	17,3	-	ø26 x M10 x 80
06275-51160X16	reamed hole with slot	160	16H7	40	20	40	5	18,3	-	ø26 x M10 x 80
06275-51200X18	reamed hole with slot	200	18H7	50	24	46	6	20,8	-	ø26 x M10 x 80
06275-51200X20	reamed hole with slot	200	20H7	50	24	46	6	22,8	-	ø26 x M10 x 80
06275-51250X22	reamed hole with slot	250	22H7	50	28	49	6	24,8	-	ø31 x M12 x 102
06275-51250X24	reamed hole with slot	250	24H7	50	28	49	8	27,3	-	ø31 x M12 x 102