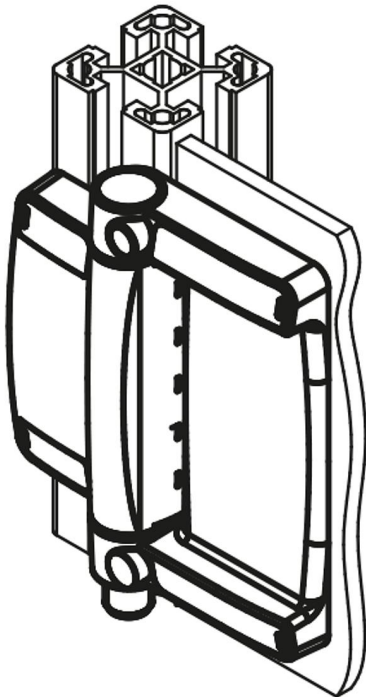
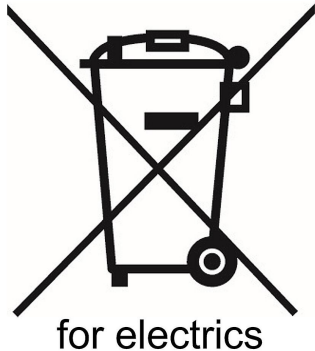


## Item description/product images



## Description

### Product description:

The security hinge switches are used for monitoring the position of swing-hinged safety doors, protective hatches and hoods. The protective device is monitored directly in the hinge.

By the universally pre-set versions, the switching angle is freely adjustable over the entire working range. A mounting aid ensures the quick alignment to doors and posts.

The additional hinges have the same appearance and dimensions as the security hinge switches.

### Material:

Housing, die-cast zinc.

Housing cover, plastic, self-extinguishing.

Hinge bolts, die-cast zinc/steel C45.

Contacts, silver-nickel alloy.

### Note:

The loading values given for the hinges are non-binding reference values without consideration of safety factors and exclude any liability. The values given are for information purposes only and do not constitute a legally binding assurance of properties.

The load values have been determined under laboratory conditions. It must be determined individually whether the hinge is suitable for the respective application.

Different materials onto which the hinges are installed and the type of mounting, weather conditions and wear can influence the determined values.

### Technical data:

See Downloads, Technical Information.

### Application:

- Special machine construction
- Electronics industry
- Packaging machines
- Enclosures/profile systems
- Machine tools
- Measuring, processing, testing and laboratory technology

### Assembly:

4x DIN 7984 or DIN EN ISO 4762 M6 socket head screws,  
Tightening torque 4.3 Nm

General assembly instructions can be found in the accompanying operating instructions.

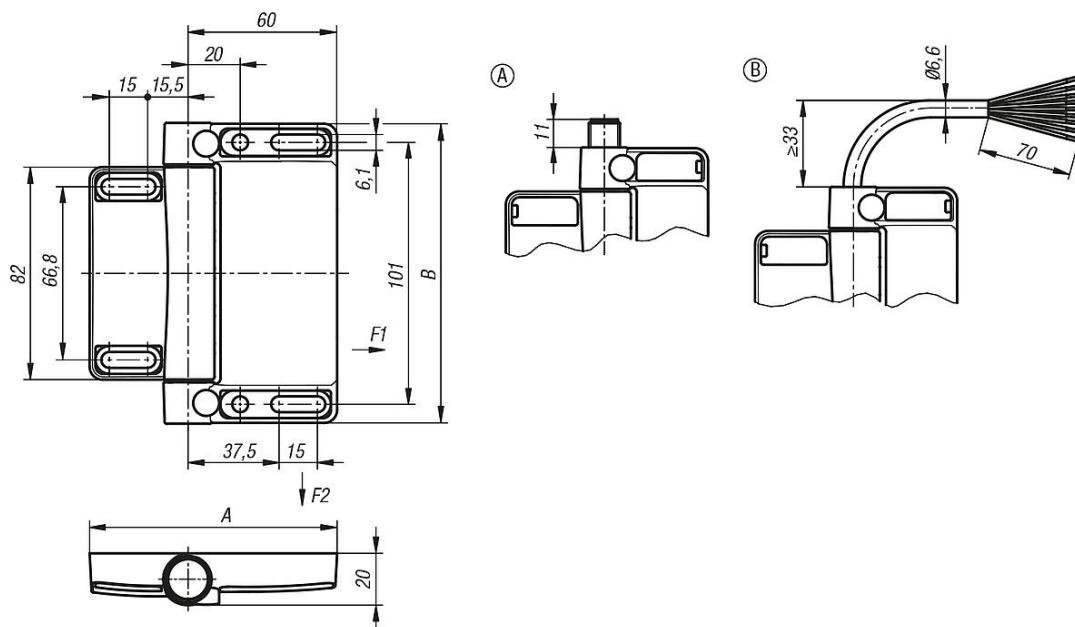
### Advantages:

- Suitable for protection on swivel hatches
- Minimum assembly required, especially on conventional aluminium profiles
- Optimum integration into the surrounding structure
- Additional protection against tampering
- Hardly any mechanical wear

Item description/product images

**Accessory:**  
 For Form A:  
 Connector bush M12x1 with screw lock 80150-10.

Drawings



Overview of items

| Order No.       | Item                  | Form | A  | B   | Default setting   | Contacts | Connection type | Connection position | F1 N | F2 N |
|-----------------|-----------------------|------|----|-----|-------------------|----------|-----------------|---------------------|------|------|
| 27951-981161111 | Security Hinge Switch | A    | 98 | 116 | external mounting | 1C / 20  | connector       | bottom              | 5000 | 5000 |
| 27951-981161112 | Security Hinge Switch | A    | 98 | 116 | external mounting | 1C / 20  | connector       | top                 | 5000 | 5000 |
| 27951-981162111 | Security Hinge Switch | A    | 98 | 116 | universal         | 1C / 20  | connector       | bottom              | 5000 | 5000 |
| 27951-981162112 | Security Hinge Switch | A    | 98 | 116 | universal         | 1C / 20  | connector       | top                 | 5000 | 5000 |
| 27951-981161121 | Security Hinge Switch | B    | 98 | 116 | external mounting | 1C / 20  | cable           | bottom              | 5000 | 5000 |
| 27951-981161122 | Security Hinge Switch | B    | 98 | 116 | external mounting | 1C / 20  | cable           | top                 | 5000 | 5000 |
| 27951-981162121 | Security Hinge Switch | B    | 98 | 116 | universal         | 1C / 20  | cable           | bottom              | 5000 | 5000 |
| 27951-981162122 | Security Hinge Switch | B    | 98 | 116 | universal         | 1C / 20  | cable           | top                 | 5000 | 5000 |
| 27951-98116     | Additional Hinge      | -    | 98 | 116 | -                 | -        | -               | -                   | 5000 | 5000 |