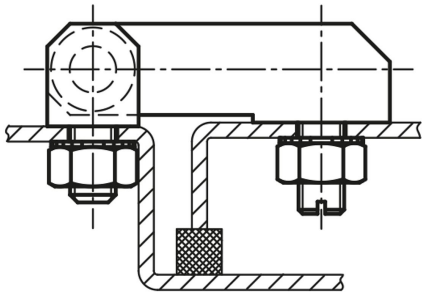
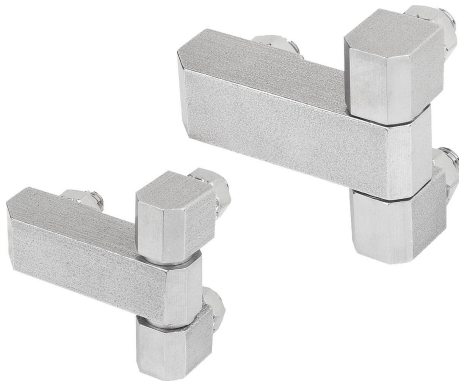


## Item description/product images



## Description

**Material:**

Hinge stainless steel 1.4305.  
Fastening material stainless steel 1.4305.

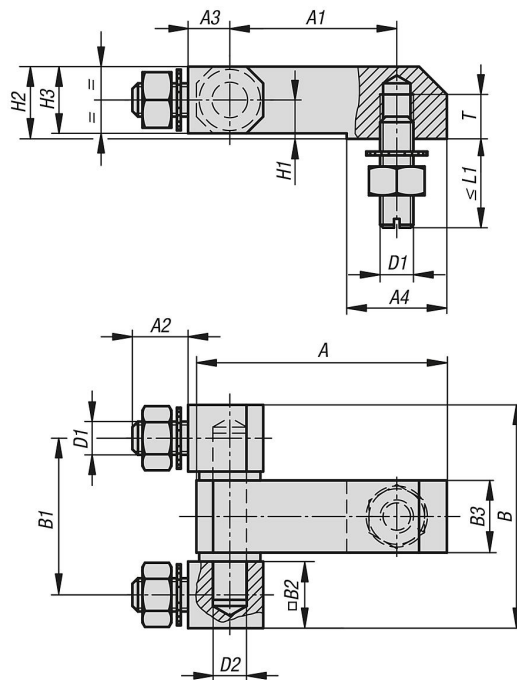
**Version:**

Polished.

**Note:**

Block hinge for flush constructions.  
Light and heavy types.

## Drawings



## Overview of items

Order No.	A	A1	A2	A3	A4	B	B1	B2	B3	D1	D2	H1	H2	H3	L1	T	Load capacity N
27890-02-10630028	45	30	10	7,5	18	40,2	28,2	12	13	M6	6	7	13	12	16	8	2600
27890-02-10840035	61	40	14	10	26	51	35	16	18	M8	8	10	18	16	20	10	4800