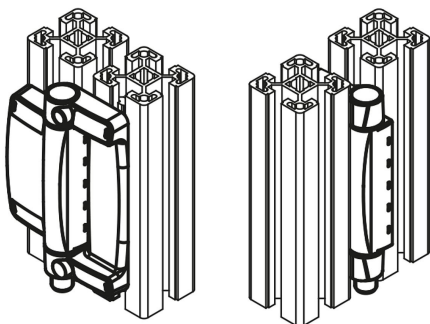
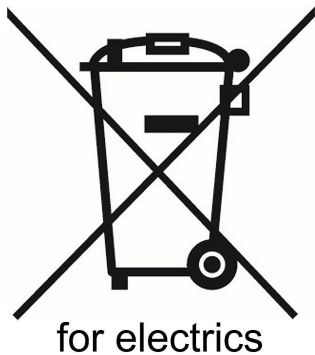


Item description/product images



Description

Material:

Housing, die-cast zinc.
 Housing cover, plastic, self-extinguishing.
 Hinge bolts, die-cast zinc/steel C45.
 Contacts, silver-nickel alloy.

Note:

The loading values given for the hinges are non-binding reference values without consideration of safety factors and exclude any liability. The values given are for information purposes only and do not constitute a legally binding assurance of properties.

The load values have been determined under laboratory conditions. It must be determined individually whether the hinge is suitable for the respective application.

Different materials onto which the hinges are installed and the type of mounting, weather conditions and wear can influence the determined values.

Application:

- Special machine construction
- Electronics industry
- Packaging machines
- Enclosures/profile systems
- Machine tools
- Measuring, processing, testing and laboratory technology

Assembly:

4x DIN 7984 or DIN EN ISO 4762 M6 socket head screws,
 Tightening torque 4.3 Nm
 General assembly instructions can be found in the accompanying operating instructions.

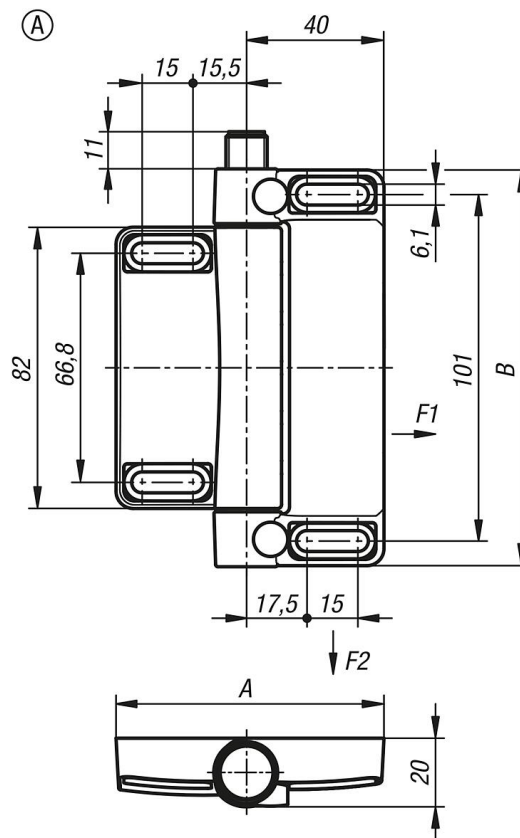
Advantages:

- Suitable for protection on swivel hatches
- Minimum assembly required, especially on conventional aluminium profiles
- Optimum integration into the surrounding structure
- Additional protection against tampering
- Hardly any mechanical wear

Accessory:

Connector bush M12x1, with screw lock 80150-10.

Drawings



Overview of items

Order No.	A	B	Default setting	Contacts	Connection type	Connection position	F1 N	F2 N
27950-781161111	78	116	external mounting	1C / 20	connector	bottom	5000	5000
27950-781161112	78	116	external mounting	1C / 20	connector	top	5000	5000
27950-781162111	78	116	universal	1C / 20	connector	bottom	5000	5000
27950-781162112	78	116	universal	1C / 20	connector	top	5000	5000