

Item description/product images



Description

Material:

Ceramic bearings ZrO₂.
Bearing cage PTFE.

Version:

Natural, white.

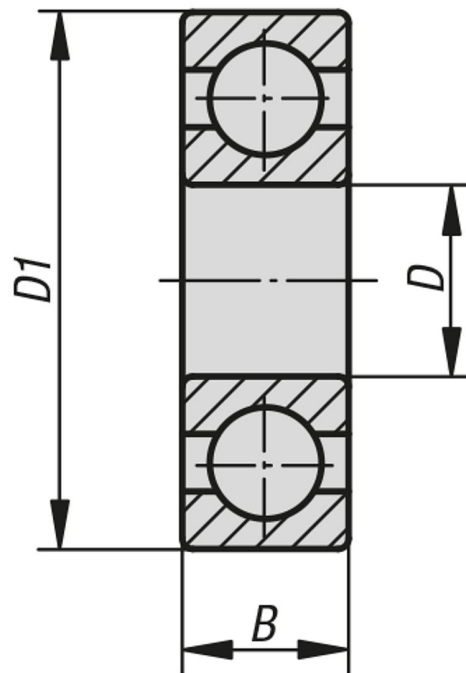
Note:

Zirconia (ZrO₂) is a cost-effective alternative to Si₃N₄. It also has the advantage that the thermal expansion is similar to that of steel, which means that a shrink fit is not required as expansion differences between the bearing housing and a steel shaft do not occur.

Safety:

Reacts with concentrated hydrochloric acid, nitric acid and sulphuric acid.

Drawings



Overview of items

Order No.	B	D	D1	Dynamic load rating N	Static load rating N	Speed limit rpm
23800-03-01703510	10	17	35	3900	2300	21000
23800-03-01202808	8	12	28	3300	1700	29000
23800-03-00802207	7	8	22	2000	1000	37000
23800-03-01002608	8	10	26	3000	1400	31000
23800-03-02004212	12	20	42	6000	3700	18000
23800-03-01503209	9	15	32	3600	2100	24000
23800-03-02504712	12	25	47	6500	5800	15000
23800-03-03005513	13	30	55	8500	7600	12500

