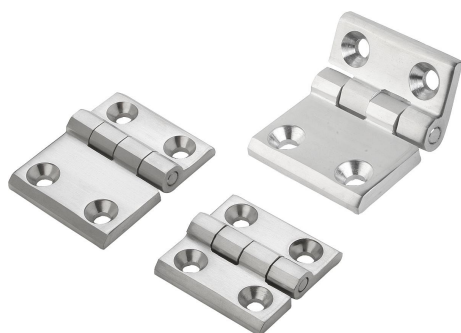


Item description/product images



Description

Material:
Stainless steel 1.4401.

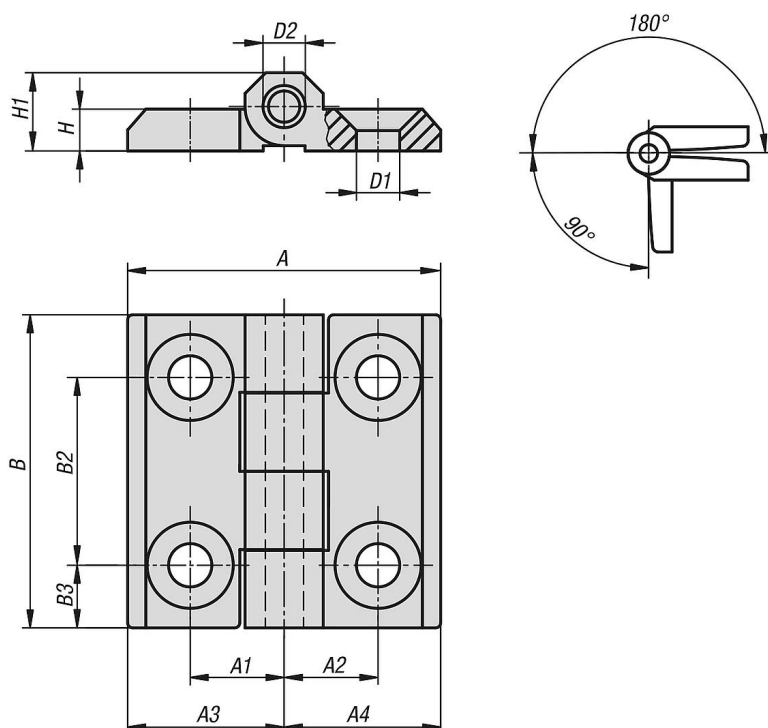
Version:
Satin finished.

Note:
Hinge for extreme loads.
For right or left use.
Opening angle 270°.
Fastening with countersunk screws i.e. per DIN 7991.

The loading values given for the hinges are non-binding reference values, which do not consider safety factors and exclude any liability. The values given are for information purposes only and do not constitute a legally binding assurance of properties.

These load values were determined under laboratory conditions. Each user must determine individually whether the hinge is suitable for the respective application. Wide differences in the materials on which the hinges are installed, the type of mounting, weather conditions and wear, can influence the determined values.

Drawings



Overview of items

Order No.	A	A1	A2	A3	A4	B	B2	B3	D1	D2	H	H1	Load capacity N
27875-90-05201313	40	12,5	12,5	20	20	40	25	7,5	5,2	4	5	9	2500
27875-90-06251515	50	15	15	25	25	50	30	10	6,2	6	6	11,5	5000

Overview of items

Order No.	A	A1	A2	A3	A4	B	B2	B3	D1	D2	H	H1	Load capacity N
27875-90-08301818	60	18	18	30	30	60	36	12	8,3	8	8	15	8000
27875-90-06381528	63	28	15	38	25	50	30	10	6,5	6	6	11,5	5000
27875-90-06382828	76	28	28	38	38	50	30	10	6,5	6	6	11,5	5000