

## Item description/product images



## Description

**Material:**

Stainless steel 1.4401.

**Version:**

Bright.

**Note:**

The quarter turn lock can be installed pre-assembled. Housing with fastening nut and plate cylinder, same key locking, incl. 2 keys (lock type 1333).

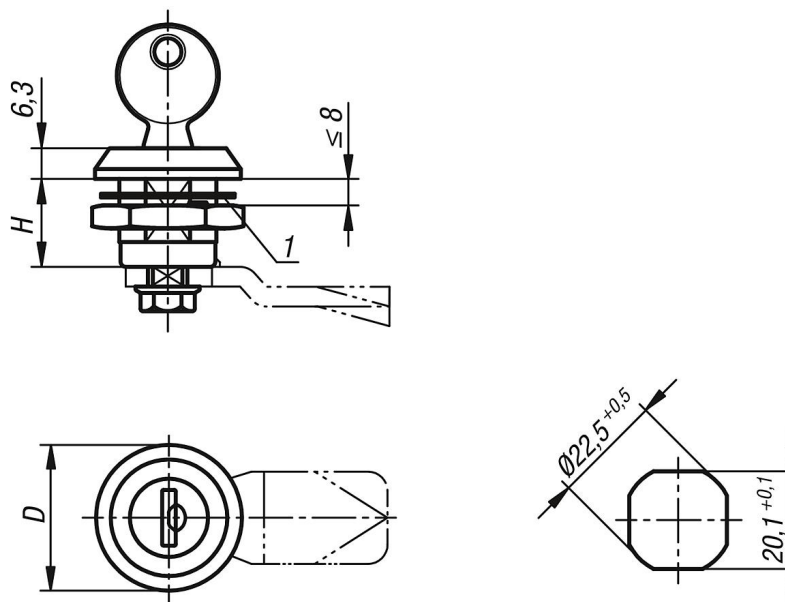
**Accessory:**

Tongue for stainless steel quarter-turn lock 05566-07.

**Drawing reference:**

1) flat seal

## Drawings



## Overview of items

| Order No.   | Actuation             | D  | H  |
|-------------|-----------------------|----|----|
| 05566-06-18 | key single-key system | 30 | 18 |