

Item description/product images



Description

Material:

Stainless steel 1.4401.

Version:

Bright.

Note:

The quarter turn lock can be installed pre-assembled. Housing with fastening nut and plate cylinder, same key locking, incl. 2 keys (lock type 1333).

Please order required tongue version separately. Every tongue can be combined with every housing.

Accessory:

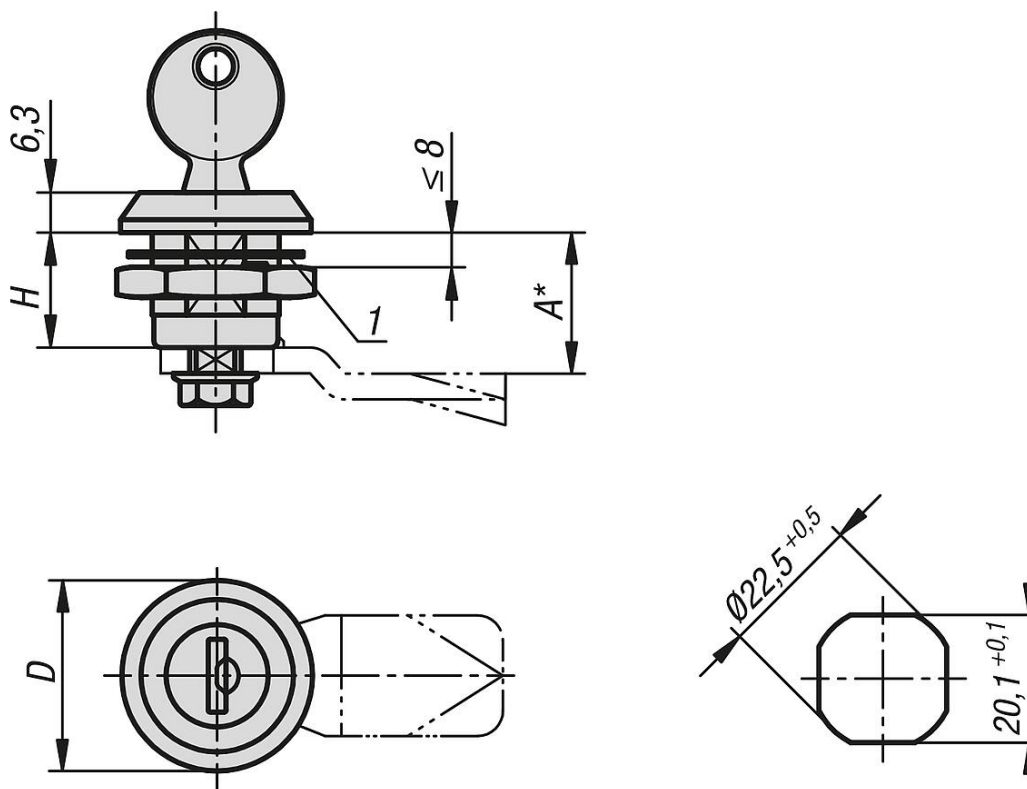
Keys for latches and locks 05586.

Tongue for stainless steel quarter-turn lock 05566-07.

Drawing reference:

1) flat seal

Drawings



Overview of items

Quarter-turn lock, lockable, stainless steel

Overview of items

Order No.	Actuation	D	H
05566-06-18	key single-key system	30	18