

Item description/product images



Description

Material:

Stainless steel 1.4401.

Version:

Bright.
Grip polished.

Note:

Quarter-turn lock with T-grip. For right or left mounting with 90° closing. The quarter-turn lock can be installed pre-assembled. Supplied with standard stainless-steel nut. The lockable quarter-turn locks are each supplied with 2 keys. Rating IP65. Please order required tongue version separately. Every tongue can be combined with this housing.

The cylinder locks have a single-key system i.e. the same key works in all locks.

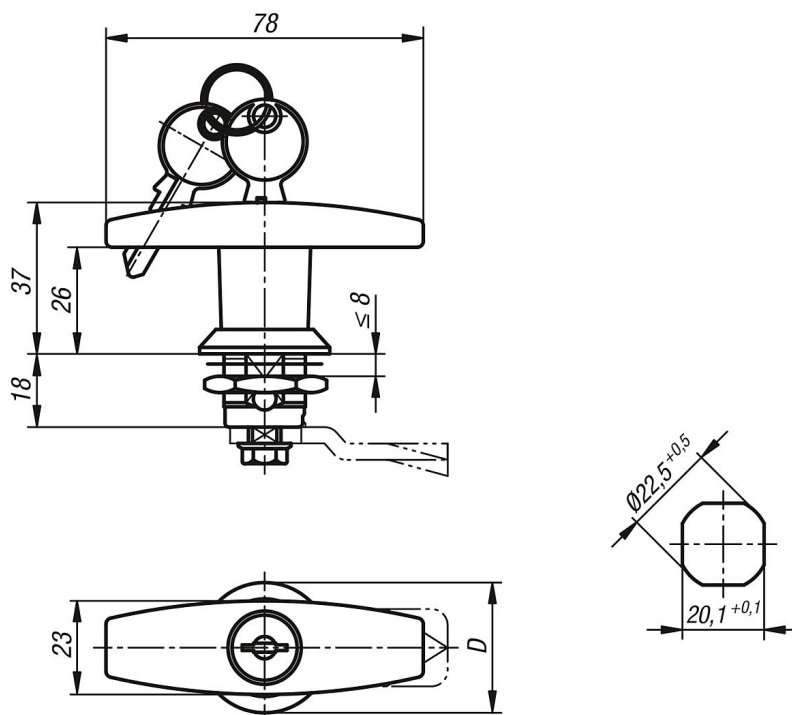
On request:

Available for door thickness 20 and 40 mm.

Accessory:

Tongue for stainless steel quarter-turn lock 05566-07.

Drawings



Overview of items

Order No.	Actuation	D
05593-01-1186	T-Grip	32
05593-01-2186	lockable T-grip	32