

Item description/product images



Description

Material:

Stainless steel 1.4404.

Version:

Bright.

Note:

The compact form enables space saving designs.

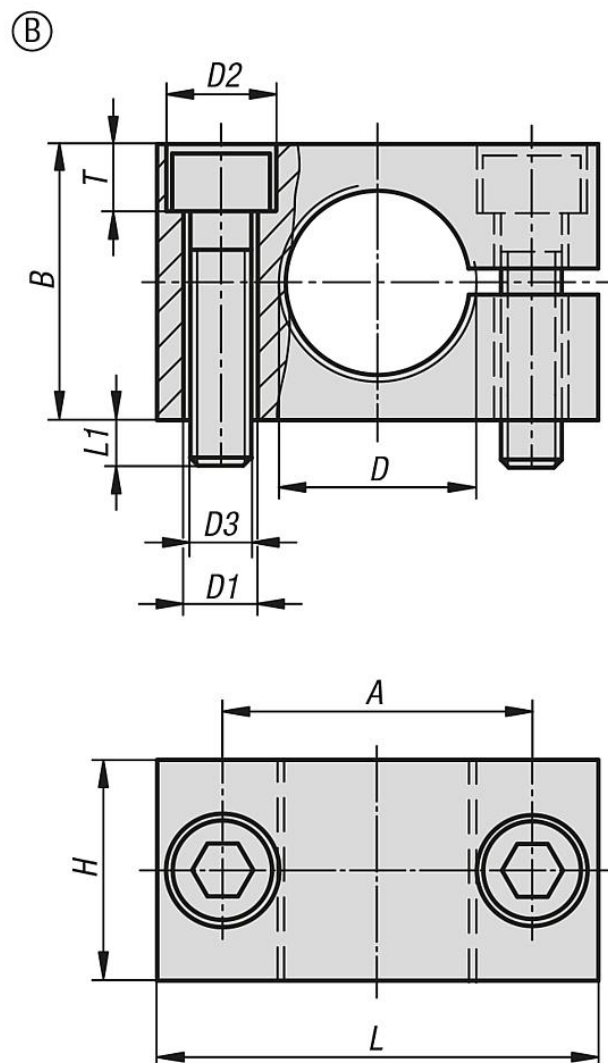
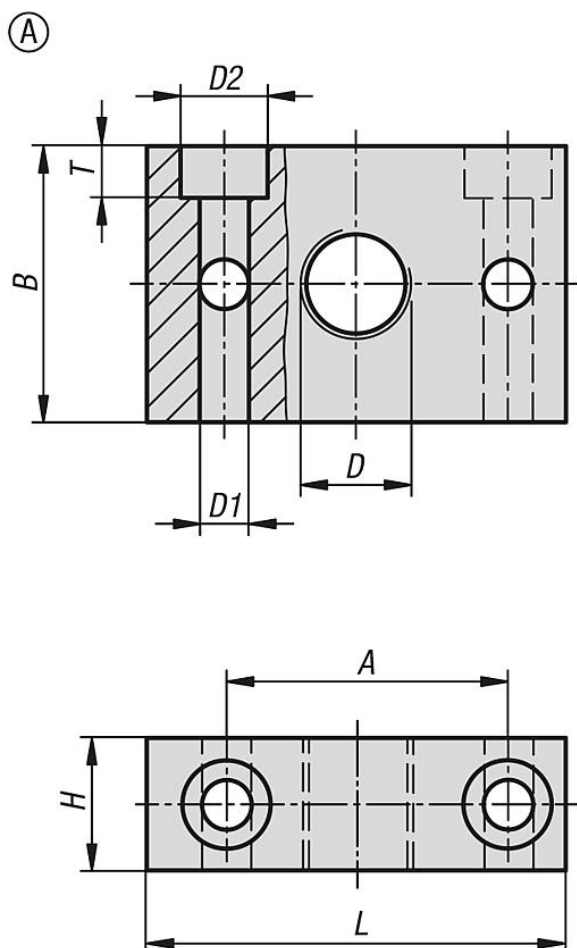
Form A:

A locknut must be used to secure the shock absorber.

Form B:

No locknut required. The shock absorber is clamped into the split bracket using the screws provided.

Drawings



Overview of items

| Order No. | Form | A | B | D | D1 | D2 | D3 | H | L | L1 | T |
|----------------|------|------|----|-------|-----|----|----|----|----|----|-----|
| 26320-10-10100 | A | 25,4 | 25 | M10X1 | 4,5 | 8 | - | 12 | 38 | - | 4,5 |
| 26320-10-12100 | A | 25,4 | 25 | M12X1 | 4,5 | 8 | - | 12 | 38 | - | 4,5 |
| 26320-10-14100 | B | 20 | 20 | M14x1 | 5,5 | 9 | M5 | 12 | 32 | 5 | 5,5 |
| 26320-10-20100 | B | 28 | 25 | M20X1 | 6,5 | 11 | M6 | 20 | 40 | 6 | 6,5 |